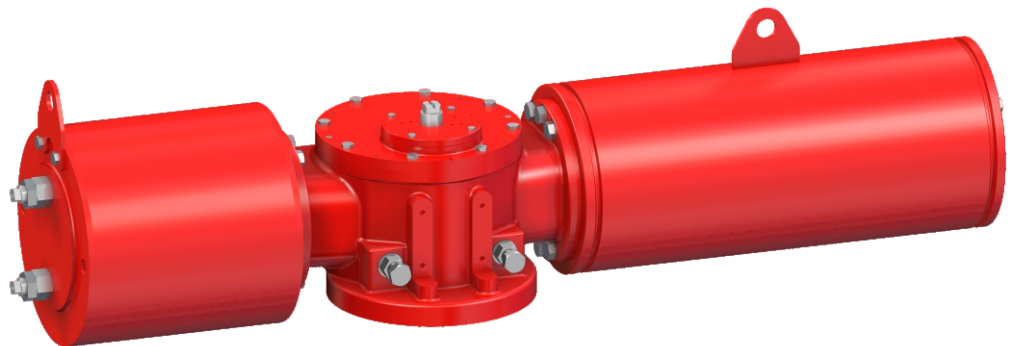




YP Series Actuator Scotch Yoke Actuator



SCOTCH YOKE ACTUATOR - PRODUCT BULLETIN

Output Torque to 230000Nm

Temperatures from -40°C to 204°C

MODULAR DESIGN, HIGH CYCLE LIFE, HIGH RELIABILITY.

SUZHOU SIP STARD AUTOMATION CO.,LTD.



SUZHOU SIP STARD AUTOMATION

1999

The company was founded in 1999

10,800,000

The registered capital is RMB 10.8 million

13,000^{m²}

The company's production and office building area of 13,000 m²

100,000+

Annual output of more than 100,000 sets of valve actuators of various specifications.

About Company

Suzhou SIP Stard Automation Co.,LTD specialises in valve control technology, design and manufacture of valve gear operators and pneumatic actuators. STARD AUTOMATION was founded in 1999 and has more than 25 years of history. The factory area is 13,000m².

STARD AUTOMATION offers a wide range of gearboxes and actuators covering the following categories:

- Part-turn manual Gear Operators
- Part-turn motorised Gear Operators
- Multi-turn Gearbox
- Declutchable Gearbox
- High Efficiency Gear Operators
- Specialised Application Gearbox
- Scotch Yoke Actuator
- Linear Pneumatic Actuator

Production capacity:

Product torque coverage: 150NM~250,000NM, annual output of valve actuators up to 100,000 units.



16

Stard Automation currently offers 16 major product series

80+

In more than 80 models

150~250000Nm

With the torque ranging from 150Nm to 250,000Nm.



Oil And Gas



General Industry



Chemical



Water Resources



Power Plant



Large Vessels / Marine

STARD AUTOMATION specializes in manufacturing actuators and related equipment for the oil and gas, chemical, water, marine, power generation, and general industrial sectors. We provides high - quality actuators which are durable, reliable, and capable of withstanding extreme conditions.

Product Categories

STARD AUTOMATION currently offers 16 major product series in more than 80 models, with the torque ranging from 150Nm to 250,000Nm and the main material optional in HT250\QT450\ WCB\YL113 aluminum die-cast alloys/304 and 316 stainless steels, which make them possible to match various requirements and working conditions. Gear operators of all series are designed and tested as per the requirements of JB/T 8531-2013 "Specifications for Valve Manual Actuators" and all flange interfaces are designed and manufactured to ISO 5211/ISO 5210.

STARD AUTOMATION's gear operators are available up to IP67, with IP68 as an option, and they can be used in oil and gas, power plants, water resources, marine, offshore, and general industrial applications. They can be used to drive ball valves, butterfly valves, plug valves, gate valves, gates, globe valves, control valves and other valves.

Customer Service

STARD AUTOMATION's customer service is outstanding. For actuator products, we offer a complete support programme including free replacement and maintenance. Whether in the power generation, water or petrochemical industries, we are always there to meet the needs of our customers, ensuring customer satisfaction and the smooth operation of our actuators under extreme conditions.

We are committed to providing durable, reliable actuators that can withstand extreme environments and contribute to controlling costs, reducing emissions and creating a safe environment with superior customer service in a variety of industries.

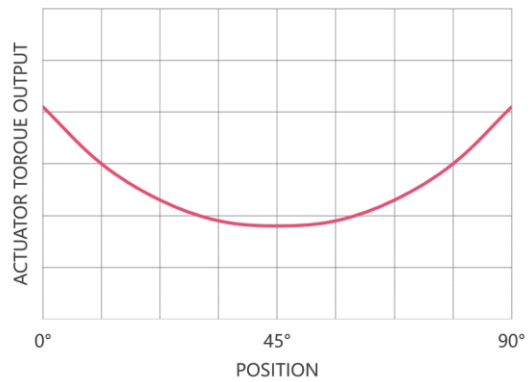
STARD AUTOMATION can provide more advantageous pneumatic actuator solutions. Our actuator design features: safety, modularity, space efficiency, and cost-effectiveness.

STARD AUTOMATION possesses over 20 years of experience in the valve actuator field, where we offer the following products:
 Scotch Yoke Actuators
 Linear Pneumatic Actuators
 Mechanical Manual Override

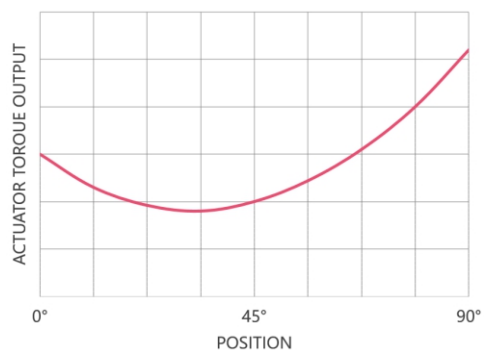
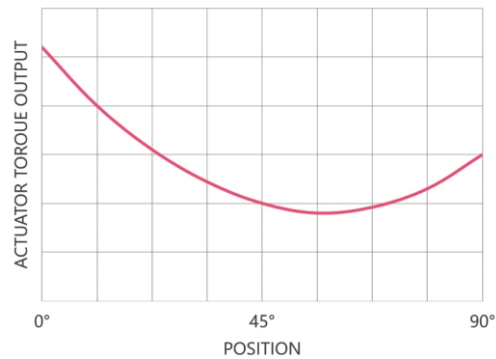
Two Torque Output Profiles:



The Symmetric Scotch Yoke delivers a more balanced torque curve, capable of outputting peak torque at both ends of its stroke.



The Canted Scotch Yoke provides different torque curves, delivering peak torque only at one end of its stroke. It is better suited for valves with differing torque requirements at the open and closed positions, thereby reducing the size, weight, and cost of the actuator.



Product Specifications and Coverage Scope :

Operating Pressure: 3bar~8bar
Torque Output: Up to 230,000Nm

Temperature Ranges:
Standard: -20°C~100°C
Low Temperature: -40°C~80°C
High Temperature: -20°C~204°C

NAMUR standard for all sizes for assembly of switchboxes and positioners.
Standard travel range: 0° to 90°
Travel adjustment range: ±5°

Corrosion Resistance:
Carbon steel + chrome-plated cylinder and chrome-plated piston rod enhance corrosion resistance and service life.

Available Options:
Manual override
Hydraulic hand pump
Stainless steel cylinders
Custom paint specifications

Approvals and Industry Standards:
Actuators certified in accordance with ATEX Directive
Actuators certified in accordance with Machinery Directive 2006/42/EC
Safety Instrumented System, SIL 3 Capable - certified by TUV NORD
Management system in accordance with ISO 9001:2015

Features:

Compact Solution

The YP series actuators utilize inward-compressed springs, positioning the actuator's center of gravity closer to the valve stem to reduce side load. This design achieves space savings and weight reduction while maintaining torque comparable to other actuators in its class.

Longer Cycle Life

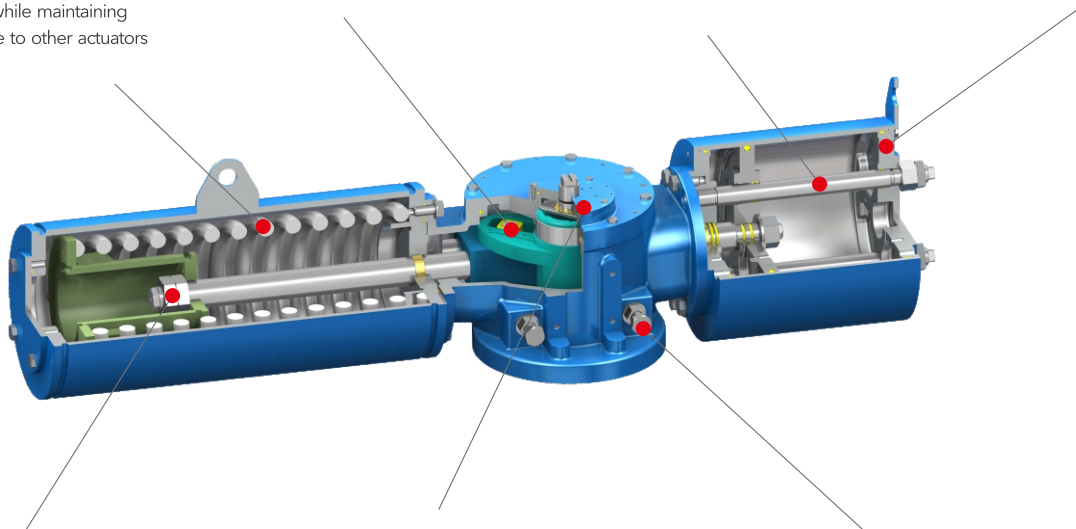
Square copper sliding block minimize contact stress and ensure extended cycle life.

Internal Tie Rods

Cylinder Module designed with internal tie rods to reduce the size of the cylinder. Tie Rods support and guide piston to prevent eccentric wear of cylinder wall.

Environmental Protection

O-rings provide sealing protection against external water or dust ingress into the actuator, meeting IP67 protection standards.



Increased Safety

Securely lock the spring module in place under load and pre-compression conditions. Prevent the possibility of injury caused by the compression spring being ejected from the side cover.

NAMUR Standard Mounting Holes

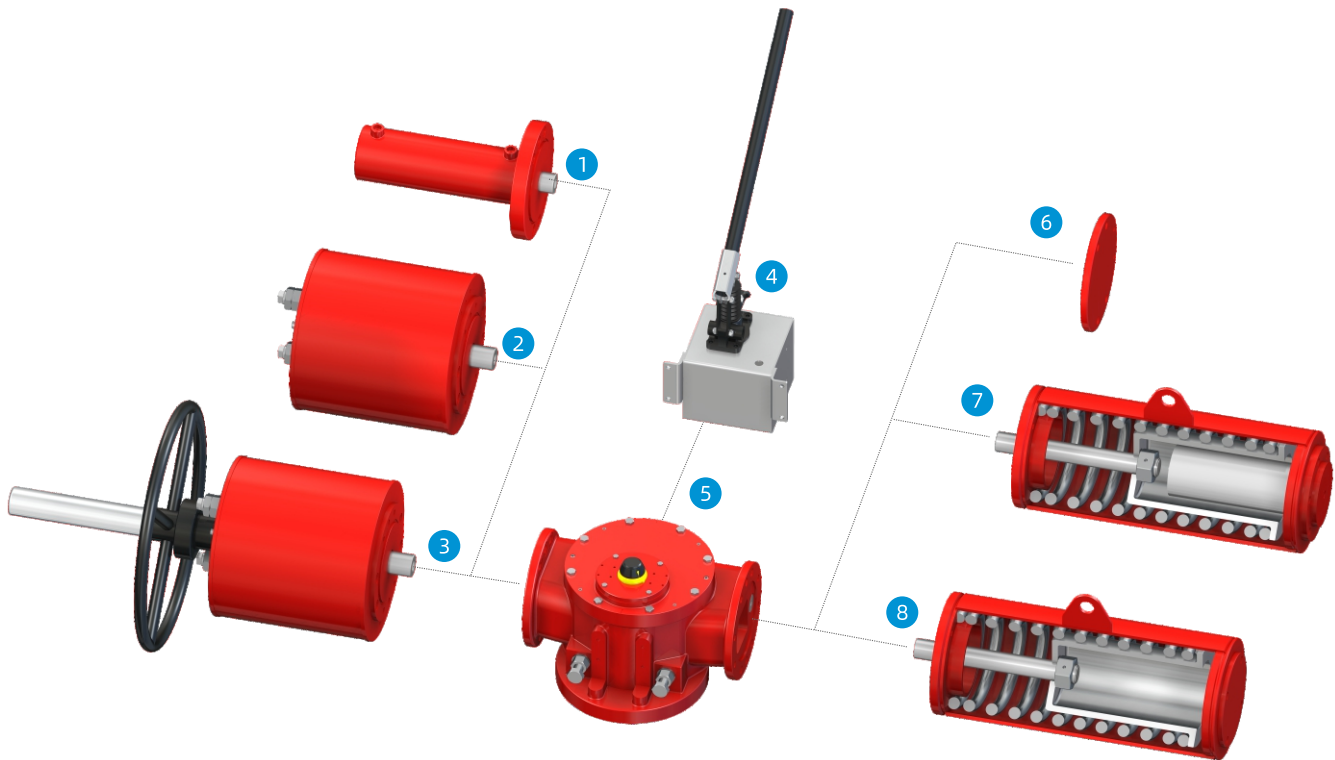
NAMUR standard for all sizes for assembly of switchboxes and positioners.

Adjustable travel range

Allow precise adjustment of open and closed positions, ensuring valve shutoff and optimizing seat life.

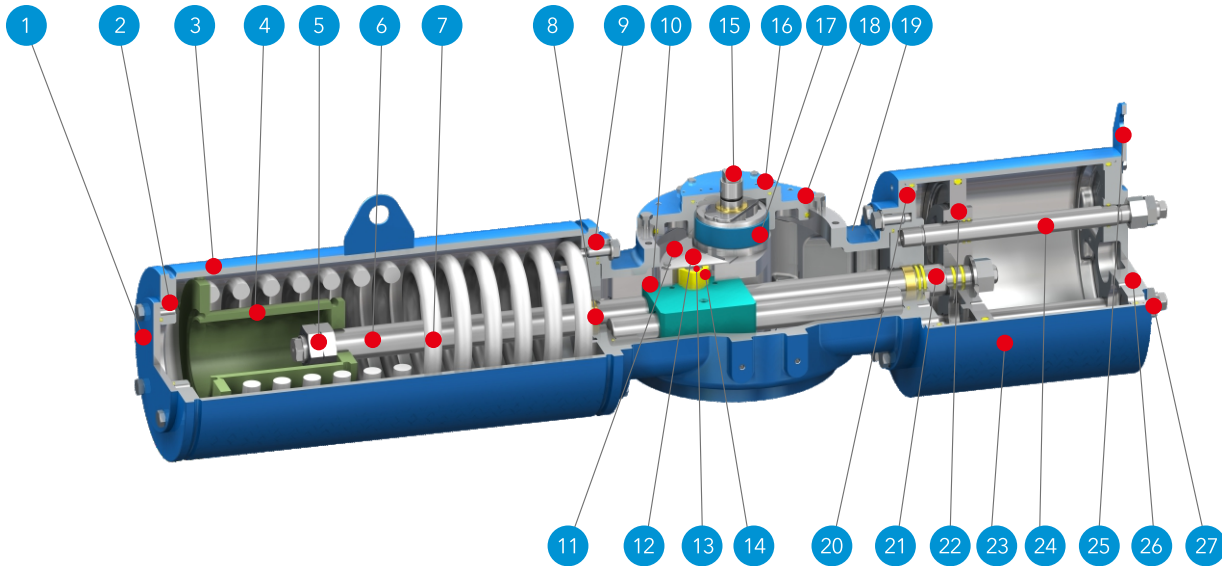
Modular Solutions

The YP series features a modular design comprising power modules, drive modules, spring modules, and manual control modules. Modules can be interchanged and combined, facilitating easy assembly and disassembly while enhancing flexibility.



| | | | | |
|------|------------------|-----------------|------------------|------------------|
| No. | 1 | 2 | 3 | 4 |
| Name | Hydraulic module | Cylinder module | Screw-manual | Hydraulic-manual |
| No. | 5 | 6 | 7 | 8 |
| Name | Drive module | Cover | Hydraulic-spring | Spring module |

PARTS & MATERIALS



Parts & Materials

| No. | Name | Material |
|-----|---------------------|--------------|
| 1 | Side Cover | Carbon Steel |
| 2 | Spring Cylinder Cap | Carbon Steel |
| 3 | Spring Cylinder | Carbon Steel |
| 4 | Spring Base | Carbon Steel |
| 5 | Nut | Carbon Steel |
| 6 | Spring Rod | Carbon Steel |
| 7 | Spring | Alloy Steel |
| 8 | Oilless bearing | Copper Alloy |
| 9 | Connecting plate | Carbon Steel |
| 10 | Guide block | Alloy Steel |
| 11 | Scotch Yoke | Ductile Iron |
| 12 | Plate | Carbon Steel |
| 13 | Axis pin | Alloy Steel |

| No. | Name | Material |
|-----|------------------|--------------|
| 14 | Sliding Block | Copper Alloy |
| 15 | Indicator shaft | Carbon Steel |
| 16 | Cover | Carbon Steel |
| 17 | Oilless bearing | Copper Alloy |
| 18 | Cover | Ductile Iron |
| 19 | Body | Ductile Iron |
| 20 | Connecting plate | Ductile Iron |
| 21 | Piston shaft | Alloy Steel |
| 22 | Piston | Ductile Iron |
| 23 | Cylinder barrel | Carbon Steel |
| 24 | Shaft | Alloy Steel |
| 25 | Lifting plate | Carbon Steel |
| 26 | Cover | Ductile Iron |
| 27 | Seal ring | NBR |

Actuator Torque Meter

Symmetrical Double-Acting Actuator Torque Data (Nm)

| Model | Operating Pressure (Bar) | | | | | | | | | | | | | | | | | |
|-------------|-----------------------------|-------|-------|--------|-------|--------|--------|-------|--------|--------|-------|--------|--------|--------|--------|--------|--------|--------|
| | 3bar | | | 4bar | | | 5bar | | | 6bar | | | 7bar | | | 8bar | | |
| | Pressure Torque Output (Nm) | | | | | | | | | | | | | | | | | |
| | 0° | 45° | 90° | 0° | 45° | 90° | 0° | 45° | 90° | 0° | 45° | 90° | 0° | 45° | 90° | 0° | 45° | 90° |
| T0-S-115DA | 343 | 199 | 343 | 457 | 265 | 457 | 571 | 331 | 571 | 685 | 397 | 685 | 799 | 464 | 799 | 914 | 530 | 914 |
| T0-S-155DA | 633 | 367 | 633 | 844 | 489 | 844 | 1055 | 612 | 1055 | 1266 | 734 | 1266 | 1477 | 856 | 1477 | 1688 | 979 | 1688 |
| T1-S-201DA | 992 | 536 | 992 | 1322 | 715 | 1322 | 1653 | 893 | 1653 | 1983 | 1072 | 1983 | 2314 | 1251 | 2314 | 2644 | 1429 | 2644 |
| T1-S-251DA | 1567 | 847 | 1567 | 2089 | 1129 | 2089 | 2612 | 1412 | 2612 | 3134 | 1694 | 3134 | 3657 | 1977 | 3657 | 4179 | 2259 | 4179 |
| T2-S-251DA | 1962 | 1061 | 1962 | 2616 | 1415 | 2616 | 3269 | 1768 | 3269 | 3923 | 2122 | 3923 | 4577 | 2476 | 4577 | 5231 | 2830 | 5231 |
| T2-S-301DA | 2842 | 1537 | 2842 | 3789 | 2050 | 3789 | 4737 | 2562 | 4737 | 5684 | 3075 | 5684 | 6631 | 3587 | 6631 | 7579 | 4099 | 7579 |
| T3-S-301DA | 2815 | 1518 | 2815 | 3753 | 2025 | 3753 | 4691 | 2531 | 4691 | 5630 | 3037 | 5630 | 6568 | 3543 | 6568 | 7506 | 4049 | 7506 |
| T3-S-351DA | 3855 | 2079 | 3855 | 5140 | 2772 | 5140 | 6424 | 3466 | 6424 | 7709 | 4159 | 7709 | 8994 | 4852 | 8994 | 10279 | 5545 | 10279 |
| T3-S-401DA | 5055 | 2727 | 5055 | 6739 | 3635 | 6739 | 8424 | 4544 | 8424 | 10109 | 5453 | 10109 | 11794 | 6362 | 11794 | 13479 | 7271 | 13479 |
| T4-S-401DA | 7031 | 3799 | 7031 | 9374 | 5066 | 9374 | 11718 | 6332 | 11718 | 14061 | 7599 | 14061 | 16405 | 8865 | 16405 | 18748 | 10132 | 18748 |
| T4-S-451DA | 8934 | 4828 | 8934 | 11912 | 6437 | 11912 | 14890 | 8047 | 14890 | 17868 | 9656 | 17868 | 20846 | 11266 | 20846 | 23824 | 12875 | 23824 |
| T4-S-501DA | 11061 | 5978 | 11061 | 14749 | 7970 | 14749 | 18436 | 9963 | 18436 | 22123 | 11956 | 22123 | 25810 | 13948 | 25810 | 29497 | 15941 | 29497 |
| T5-S-451DA | 12277 | 6634 | 12277 | 16370 | 8845 | 16370 | 20462 | 11057 | 20462 | 24555 | 13268 | 24555 | 28647 | 15479 | 28647 | 32740 | 17691 | 32740 |
| T5-S-501DA | 15209 | 8218 | 15209 | 20279 | 10958 | 20279 | 25349 | 13697 | 25349 | 30419 | 16437 | 30419 | 35489 | 19176 | 35489 | 40558 | 21915 | 40558 |
| T5-S-551DA | 18450 | 9969 | 18450 | 24600 | 13292 | 24600 | 30750 | 16616 | 30750 | 36900 | 19939 | 36900 | 43050 | 23262 | 43050 | 49200 | 26585 | 49200 |
| T5-S-601DA | 21999 | 11887 | 21999 | 29332 | 15850 | 29332 | 36665 | 19812 | 36665 | 43999 | 23774 | 43999 | 51332 | 27737 | 51332 | 58665 | 31699 | 58665 |
| T6-S-601DA | 26538 | 14355 | 26538 | 35384 | 19139 | 35384 | 44230 | 23924 | 44230 | 53076 | 28709 | 53076 | 61921 | 33494 | 61921 | 70767 | 38279 | 70767 |
| T6-S-701DA | 36235 | 19600 | 36235 | 48313 | 26133 | 48313 | 60391 | 32666 | 60391 | 72469 | 39199 | 72469 | 84547 | 45733 | 84547 | 96625 | 52265 | 96626 |
| T6-S-552DA | 44498 | 24069 | 44498 | 59330 | 32092 | 59330 | 74163 | 40115 | 74163 | 88995 | 48138 | 88995 | 103828 | 56161 | 103828 | 118660 | 64184 | 118660 |
| T6-S-801DA | 47423 | 25652 | 47423 | 63231 | 34202 | 63231 | 79039 | 42753 | 79039 | 94847 | 51304 | 94847 | 110654 | 59854 | 110654 | 126462 | 68405 | 126462 |
| T7-S-701DA | 42359 | 22914 | 42359 | 56478 | 30551 | 56478 | 70598 | 38189 | 70598 | 84717 | 45827 | 84717 | 98837 | 53465 | 98837 | 112956 | 61102 | 112956 |
| T7-S-801DA | 55456 | 29999 | 55456 | 73942 | 39998 | 73942 | 92427 | 49998 | 92427 | 110913 | 59998 | 110913 | 129398 | 69997 | 129398 | 147884 | 79997 | 147884 |
| T7-S-602DA | 62014 | 33546 | 62014 | 82686 | 44728 | 82686 | 103357 | 55910 | 103357 | 124028 | 67092 | 124028 | 144700 | 78274 | 144700 | 165371 | 89457 | 165371 |
| T7-S-901DA | 70301 | 38029 | 70301 | 93734 | 50705 | 93734 | 117168 | 63381 | 117168 | 140602 | 76058 | 140602 | 164035 | 88734 | 164035 | 187469 | 101410 | 187469 |
| T7-S-702DA | 84717 | 45827 | 84717 | 112956 | 61103 | 112956 | 141195 | 76379 | 141195 | 169434 | 91654 | 169434 | 197673 | 106930 | 197673 | 225913 | 122206 | 225913 |
| T7-S-1001DA | 86891 | 47003 | 86891 | 115855 | 62671 | 115855 | 144819 | 78339 | 144819 | 173783 | 94007 | 173783 | 202747 | 109675 | 202747 | 231711 | 125342 | 231711 |

Note: The standard operating pressure is 4 bar to 6 bar. For pressures below 4 bar or above 6 bar, please contact the sales department of Stard Automation.

Canted Double-Acting Actuator Torque Data (Nm)

| Model | Operating Pressure (Bar) | | | | | | | | | | | | | | | | | |
|------------|-----------------------------|-------|-------|--------|-------|-------|--------|-------|--------|--------|-------|--------|--------|-------|--------|--------|--------|--------|
| | 3bar | | | 4bar | | | 5bar | | | 6bar | | | 7bar | | | 8bar | | |
| | Pressure Torque Output (Nm) | | | | | | | | | | | | | | | | | |
| | 0° | 45° | 90° | 0° | 45° | 90° | 0° | 45° | 90° | 0° | 45° | 90° | 0° | 45° | 90° | 0° | 45° | 90° |
| T1-C-201DA | 1160 | 530 | 860 | 1547 | 706 | 1147 | 1933 | 883 | 1434 | 2320 | 1060 | 1721 | 2707 | 1236 | 2008 | 3093 | 1413 | 2294 |
| T1-C-251DA | 1833 | 837 | 1360 | 2444 | 1116 | 1813 | 3055 | 1396 | 2266 | 3666 | 1675 | 2719 | 4277 | 1954 | 3173 | 4888 | 2233 | 3626 |
| T2-C-251DA | 2295 | 1049 | 1702 | 3060 | 1398 | 2270 | 3825 | 1748 | 2837 | 4590 | 2098 | 3404 | 5354 | 2447 | 3972 | 6119 | 2797 | 4539 |
| T2-C-301DA | 3325 | 1520 | 2466 | 4433 | 2026 | 3288 | 5541 | 2533 | 4110 | 6649 | 3039 | 4932 | 7757 | 3546 | 5754 | 8866 | 4052 | 6576 |
| T3-C-301DA | 3287 | 1501 | 2442 | 4383 | 2001 | 3257 | 5478 | 2501 | 4071 | 6574 | 3002 | 4885 | 7670 | 3502 | 5699 | 8765 | 4002 | 6513 |
| T3-C-351DA | 4501 | 2055 | 3345 | 6002 | 2740 | 4460 | 7502 | 3426 | 5574 | 9003 | 4111 | 6689 | 10503 | 4796 | 7804 | 12004 | 5481 | 8919 |
| T3-C-401DA | 5902 | 2695 | 4386 | 7870 | 3593 | 5848 | 9837 | 4492 | 7310 | 11805 | 5390 | 8772 | 13772 | 6289 | 10233 | 15740 | 7187 | 11695 |
| T4-C-401DA | 8221 | 3756 | 6100 | 10961 | 5007 | 8134 | 13701 | 6259 | 10167 | 16442 | 7511 | 12201 | 19182 | 8763 | 14234 | 21922 | 10015 | 16268 |
| T4-C-451DA | 10447 | 4772 | 7752 | 13929 | 6363 | 10336 | 17411 | 7954 | 12920 | 20893 | 9545 | 15504 | 24375 | 11136 | 18088 | 27858 | 12726 | 20672 |
| T4-C-501DA | 12077 | 5937 | 10141 | 16102 | 7916 | 13521 | 20128 | 9895 | 16901 | 24153 | 11874 | 20281 | 28179 | 13853 | 23661 | 32204 | 15832 | 27042 |
| T5-C-451DA | 14363 | 6557 | 10652 | 19150 | 8743 | 14203 | 23938 | 10929 | 17754 | 28726 | 13114 | 21305 | 33513 | 15300 | 24856 | 38301 | 17486 | 28407 |
| T5-C-501DA | 17793 | 8123 | 13196 | 23724 | 10831 | 17595 | 29655 | 13539 | 21994 | 35586 | 16246 | 26393 | 41517 | 18954 | 30792 | 47448 | 21662 | 35190 |
| T5-C-551DA | 20153 | 9901 | 16914 | 26871 | 13201 | 22552 | 33589 | 16502 | 28189 | 40306 | 19802 | 33827 | 47024 | 23103 | 39465 | 53742 | 26403 | 45103 |
| T5-C-601DA | 24030 | 11806 | 20167 | 32040 | 15741 | 26890 | 40050 | 19676 | 33612 | 48060 | 23612 | 40335 | 56070 | 27547 | 47057 | 64080 | 31482 | 53780 |
| T6-C-601DA | 31057 | 14189 | 23026 | 41410 | 18918 | 30701 | 51762 | 23648 | 38377 | 62115 | 28378 | 46052 | 72467 | 33107 | 53728 | 82820 | 37837 | 61403 |
| T6-C-701DA | 42406 | 19373 | 31440 | 56541 | 25831 | 41920 | 70676 | 32289 | 52400 | 84811 | 38747 | 62880 | 98946 | 45205 | 73360 | 113082 | 51662 | 83839 |
| T7-C-701DA | 49585 | 22649 | 36753 | 66113 | 30199 | 49004 | 82641 | 37748 | 61255 | 99169 | 45298 | 73506 | 115697 | 52848 | 85757 | 132225 | 60397 | 98008 |
| T7-C-801DA | 64917 | 29652 | 48117 | 86556 | 39537 | 64157 | 108195 | 49421 | 80196 | 129834 | 59305 | 96235 | 151473 | 69189 | 112274 | 173111 | 79073 | 128313 |
| T7-C-602DA | 72593 | 33159 | 53807 | 96791 | 44212 | 71743 | 120989 | 55265 | 89679 | 145186 | 66318 | 107614 | 169384 | 77370 | 125550 | 193582 | 88423 | 143486 |
| T7-C-901DA | 82293 | 37590 | 60997 | 109724 | 50119 | 81330 | 137156 | 62649 | 101662 | 164587 | 75179 | 121994 | 192018 | 87709 | 142327 | 219449 | 100239 | 162659 |

Note: The standard operating pressure is 4 bar to 6 bar. For pressures below 4 bar or above 6 bar, please contact the sales department of Stard Automation.

Actuator Torque Meter

FC Symmetrical Spring-Return Actuator Torque Data (Nm)

| Model | Spring Output Torque (Nm) | | | Operating Pressure (Bar) | | | | | | | | | | | | | | | | | |
|--------------|---------------------------|------|------|-----------------------------|-----|------|------|------|------|------|------|------|------|------|------|------|------|------|-------|------|------|
| | | | | 3bar | | | 4bar | | | 5bar | | | 6bar | | | 7bar | | | 8bar | | |
| | 90° | 45° | 0° | Pressure Torque Output (Nm) | | | | | | | | | | | | | | | | | |
| | | | 0° | 45° | 90° | 0° | 45° | 90° | 0° | 45° | 90° | 0° | 45° | 90° | 0° | 45° | 90° | 0° | 45° | 90° | |
| T0-S-115SRC4 | 270 | 132 | 185 | 158 | 67 | 72 | 272 | 133 | 187 | 386 | 199 | 301 | 500 | 265 | 415 | 614 | 332 | 529 | 729 | 398 | 644 |
| T0-S-115SRC5 | 341 | 166 | 232 | | | | 225 | 99 | 116 | 339 | 165 | 230 | 453 | 231 | 345 | 567 | 298 | 458 | 682 | 364 | 573 |
| T0-S-115SRC6 | 407 | 199 | 279 | | | | 178 | 66 | 50 | 292 | 132 | 164 | 406 | 198 | 278 | 520 | 265 | 392 | 635 | 331 | 507 |
| T0-S-155SRC4 | 502 | 245 | 343 | 290 | 122 | 131 | 501 | 244 | 342 | 712 | 367 | 553 | 923 | 489 | 764 | 1134 | 611 | 975 | 1345 | 734 | 1186 |
| T0-S-155SRC5 | 628 | 306 | 428 | | | | 416 | 183 | 216 | 627 | 306 | 427 | 838 | 428 | 638 | 1049 | 550 | 849 | 1260 | 673 | 1060 |
| T0-S-155SRC6 | 752 | 367 | 514 | | | | 330 | 122 | 92 | 541 | 245 | 303 | 752 | 367 | 514 | 963 | 489 | 725 | 1174 | 612 | 936 |
| T1-S-201SRC4 | 821 | 357 | 500 | 492 | 179 | 171 | 822 | 357 | 501 | 1152 | 536 | 831 | 1483 | 715 | 1162 | 1814 | 894 | 1493 | 2144 | 1072 | 1823 |
| T1-S-201SRC5 | 1028 | 447 | 626 | | | | 696 | 267 | 294 | 1026 | 446 | 624 | 1357 | 625 | 955 | 1688 | 804 | 1286 | 2018 | 982 | 1616 |
| T1-S-201SRC6 | 1233 | 536 | 750 | | | | 572 | 178 | 89 | 902 | 357 | 419 | 1233 | 536 | 750 | 1564 | 715 | 1081 | 1894 | 893 | 1411 |
| T1-S-251SRC4 | 1028 | 447 | 626 | 941 | 400 | 539 | 1463 | 682 | 1061 | 1985 | 964 | 1583 | 2508 | 1247 | 2106 | 3031 | 1530 | 2629 | 3553 | 1812 | 3151 |
| T1-S-251SRC5 | 1233 | 536 | 750 | 817 | 311 | 334 | 1339 | 593 | 856 | 1861 | 875 | 1378 | 2384 | 1158 | 1901 | 2907 | 1441 | 2424 | 3429 | 1723 | 2946 |
| T1-S-251SRC6 | 1948 | 847 | 1186 | | | | 903 | 282 | 141 | 1425 | 564 | 663 | 1948 | 847 | 1186 | 2471 | 1130 | 1709 | 2993 | 1412 | 2231 |
| T2-S-251SRC4 | 1624 | 707 | 990 | 972 | 354 | 338 | 1625 | 707 | 991 | 2279 | 1061 | 1645 | 2933 | 1415 | 2299 | 3587 | 1769 | 2953 | 4241 | 2123 | 3607 |
| T2-S-251SRC5 | 2031 | 884 | 1238 | | | | 1377 | 530 | 584 | 2031 | 884 | 1238 | 2685 | 1238 | 1892 | 3339 | 1592 | 2546 | 3993 | 1946 | 3200 |
| T2-S-251SRC6 | 2438 | 1061 | 1485 | | | | 1130 | 353 | 177 | 1784 | 707 | 831 | 2438 | 1061 | 1485 | 3092 | 1415 | 2139 | 3746 | 1769 | 2793 |
| T2-S-301SRC4 | 2031 | 884 | 1238 | 1604 | 653 | 811 | 2551 | 1165 | 1758 | 3498 | 1678 | 2705 | 4446 | 2190 | 3653 | 5393 | 2703 | 4600 | 6341 | 3215 | 5548 |
| T2-S-301SRC5 | 2438 | 1061 | 1485 | 1357 | 476 | 404 | 2304 | 988 | 1351 | 3251 | 1501 | 2298 | 4199 | 2013 | 3246 | 5146 | 2526 | 4193 | 6094 | 3038 | 5141 |
| T2-S-301SRC6 | 3531 | 1537 | 2152 | | | | 1637 | 512 | 258 | 2584 | 1025 | 1205 | 3532 | 1537 | 2153 | 4479 | 2050 | 3100 | 5427 | 2562 | 4048 |
| T3-S-301SRC4 | 2335 | 1012 | 1417 | 1398 | 506 | 480 | 2336 | 1012 | 1418 | 3274 | 1518 | 2356 | 4212 | 2024 | 3294 | 5151 | 2531 | 4233 | 6089 | 3037 | 5171 |
| T3-S-301SRC5 | 3199 | 1386 | 1940 | | | | 1813 | 638 | 554 | 2751 | 1144 | 1492 | 3689 | 1650 | 2430 | 4628 | 2157 | 3369 | 5566 | 2663 | 4307 |
| T3-S-301SRC6 | 3999 | 1733 | 2426 | | | | 2265 | 797 | 692 | 3203 | 1303 | 1630 | 4142 | 1810 | 2569 | 5080 | 2316 | 3507 | | | |
| T3-S-351SRC4 | 3199 | 1386 | 1940 | 1915 | 693 | 656 | 3199 | 1386 | 1940 | 4484 | 2079 | 3225 | 5769 | 2772 | 4510 | 7054 | 3466 | 5795 | 8339 | 4159 | 7080 |
| T3-S-351SRC5 | 3999 | 1733 | 2426 | | | | 2713 | 1039 | 1140 | 3998 | 1732 | 2425 | 5283 | 2425 | 3710 | 6568 | 3119 | 4995 | 7853 | 3812 | 6280 |
| T3-S-351SRC6 | 4797 | 2079 | 2911 | | | | 2228 | 693 | 342 | 3513 | 1386 | 1627 | 4798 | 2079 | 2912 | 6083 | 2773 | 4197 | 7368 | 3466 | 5482 |
| T3-S-401SRC4 | 3999 | 1733 | 2426 | 2629 | 994 | 1056 | 4293 | 1891 | 2720 | 5972 | 2797 | 4399 | 7652 | 3703 | 6079 | 9368 | 4629 | 7795 | 11053 | 5538 | 9480 |
| T3-S-401SRC5 | 4797 | 2079 | 2911 | 2144 | 648 | 258 | 3808 | 1545 | 1922 | 5487 | 2451 | 3601 | 7167 | 3357 | 5281 | 8883 | 4283 | 6997 | 10568 | 5192 | 8682 |
| T3-S-401SRC6 | 6292 | 2727 | 3818 | | | | 2901 | 897 | 427 | 4580 | 1803 | 2106 | 6260 | 2709 | 3786 | 7976 | 3635 | 5502 | 9661 | 4544 | 7187 |

Note: 1. "FC" stands for "power source lost, closed", and "FO" stands for "power source lost, open".
 2. The standard operating pressure is 4 bar to 6 bar. For pressures below 4 bar or above 6 bar, please contact the sales department of Stard Automation.

FC Symmetrical Spring-Return Actuator Torque Data (Nm)

| Model | Spring Output Torque (Nm) | | | Operating Pressure (Bar) | | | | | | | | | | | | | | | | | |
|---------------|---------------------------|-------|-------|-----------------------------|-------|-------|-------|-------|-------|---------|-------|-------|--------|-------|--------|--------|-------|--------|--------|-------|--------|
| | | | | 3bar | | | 4bar | | | 5bar | | | 6bar | | | 7bar | | | 8bar | | |
| | 90° 45° 0° | | | Pressure Torque Output (Nm) | | | | | | | | | | | | | | | | | |
| | | | | 0° | 45° | 90° | 0° | 45° | 90° | 0° | 45° | 90° | 0° | 45° | 90° | 0° | 45° | 90° | 0° | 45° | 90° |
| T4-S-401SRC4 | 5828 | 2533 | 3546 | 3484 | 1266 | 1203 | 5828 | 2533 | 3546 | 8171 | 3799 | 5890 | 10515 | 5066 | 8233 | 12858 | 6332 | 10577 | 15202 | 7599 | 12920 |
| T4-S-401SRC5 | 7285 | 3166 | 4432 | | | | 4942 | 1900 | 2089 | 7285 | 3166 | 4433 | 9629 | 4433 | 6776 | 11972 | 5699 | 9120 | 14316 | 6966 | 11463 |
| T4-S-401SRC6 | 8743 | 3799 | 5319 | | | | 4055 | 1266 | 632 | 6398 | 2533 | 2975 | 8742 | 3799 | 5319 | 11085 | 5066 | 7662 | 13429 | 6332 | 10006 |
| T4-S-451SRC4 | 7285 | 3166 | 4432 | 4502 | 1662 | 1649 | 7480 | 3271 | 4627 | 10458 | 4881 | 7605 | 13436 | 6490 | 10583 | 16414 | 8100 | 13561 | 19392 | 9709 | 16539 |
| T4-S-451SRC5 | 8743 | 3799 | 5319 | 3615 | 1029 | 192 | 6593 | 2638 | 3170 | 9571 | 4247 | 6148 | 12549 | 5857 | 9126 | 15527 | 7466 | 12104 | 18505 | 9076 | 15082 |
| T4-S-451SRC6 | 11109 | 4828 | 6759 | | | | 5153 | 1609 | 803 | 8131 | 3219 | 3781 | 11109 | 4828 | 6759 | 14087 | 6437 | 9737 | 17065 | 8047 | 12715 |
| T4-S-501SRC4 | 8743 | 3799 | 5319 | 5742 | 2178 | 2319 | 9429 | 4171 | 6006 | 13117 | 6164 | 9693 | 16804 | 8156 | 13380 | 20491 | 10149 | 17068 | 24178 | 12141 | 20755 |
| T4-S-501SRC5 | 11109 | 4828 | 6759 | | | | 7989 | 3142 | 3639 | 11676 | 5135 | 7326 | 15364 | 7127 | 11013 | 19051 | 9120 | 14701 | 22738 | 11113 | 18388 |
| T4-S-501SRC6 | 13755 | 5978 | 8369 | | | | 6380 | 1993 | 994 | 10067 | 3985 | 4681 | 13754 | 5978 | 8368 | 17441 | 7970 | 12055 | 21128 | 9963 | 15743 |
| T5-S-451SRC4 | 10179 | 4423 | 6192 | 6086 | 2211 | 2098 | 10178 | 4423 | 6191 | 14271 | 6634 | 10283 | 18363 | 8845 | 14376 | 22455 | 11057 | 18468 | 26548 | 13268 | 22561 |
| T5-S-451SRC5 | 12722 | 5528 | 7740 | | | | 8630 | 3317 | 3648 | 12723 | 5528 | 7740 | 16815 | 7740 | 11833 | 20908 | 9951 | 15925 | 25000 | 12162 | 20018 |
| T5-S-451SRC6 | 15267 | 6634 | 9288 | | | | 7082 | 2211 | 1103 | 11175 | 4423 | 5195 | 15267 | 6634 | 9288 | 19360 | 8845 | 13380 | 23452 | 11057 | 17473 |
| T5-S-501SRC4 | 12722 | 5528 | 7740 | 7470 | 2690 | 2487 | 12540 | 5429 | 7557 | 17609 | 8169 | 12627 | 22679 | 10908 | 17697 | 27749 | 13648 | 22766 | 32819 | 16387 | 27836 |
| T5-S-501SRC5 | 15267 | 6634 | 9288 | | | | 10992 | 4324 | 5012 | 16061 | 7063 | 10082 | 21131 | 9803 | 15152 | 26201 | 12542 | 20222 | 31271 | 15281 | 25292 |
| T5-S-501SRC6 | 18913 | 8218 | 11506 | | | | 8774 | 2739 | 1366 | 13843 | 5479 | 6436 | 18913 | 8218 | 11506 | 23983 | 10958 | 16576 | 29053 | 13697 | 21646 |
| T5-S-551SRC4 | 15267 | 6634 | 9288 | 9162 | 3335 | 3183 | 15312 | 6658 | 9333 | 21462 | 9982 | 15483 | 27612 | 13305 | 21633 | 33762 | 16628 | 27783 | 39912 | 19951 | 33933 |
| T5-S-551SRC5 | 18913 | 8218 | 11506 | | | | 13094 | 5074 | 5687 | 19244 | 8397 | 11837 | 25394 | 11720 | 17987 | 31544 | 15043 | 24137 | 37694 | 18367 | 30287 |
| T5-S-551SRC6 | 22942 | 9969 | 13957 | | | | 10643 | 3323 | 1658 | 16793 | 6646 | 7808 | 22943 | 9969 | 13958 | 29093 | 13292 | 20108 | 35243 | 16616 | 26258 |
| T5-S-601SRC4 | 18913 | 8218 | 11506 | 10494 | 3669 | 3087 | 17827 | 7631 | 10420 | 25160 | 11594 | 17753 | 32493 | 15556 | 25086 | 39826 | 19518 | 32419 | 47159 | 23481 | 39752 |
| T5-S-601SRC5 | 22942 | 9969 | 13957 | | | | 15375 | 5880 | 6391 | 22708 | 9843 | 13724 | 30041 | 13805 | 21057 | 37375 | 17767 | 28390 | 44708 | 21730 | 35723 |
| T5-S-601SRC6 | 27356 | 11887 | 16642 | | | | 12690 | 3962 | 1976 | 20023 | 7925 | 9309 | 27357 | 11887 | 16643 | 34690 | 15850 | 23976 | 42023 | 19812 | 31309 |
| T6-S-601SRC4 | 21987 | 9570 | 13398 | 13140 | 4785 | 4551 | 21986 | 9570 | 13397 | 30832 | 14355 | 22243 | 39678 | 19139 | 31089 | 48524 | 23924 | 39935 | 57370 | 28709 | 48781 |
| T6-S-601SRC5 | 27482 | 11962 | 16747 | | | | 18637 | 7177 | 7901 | 27483 | 11962 | 16747 | 36329 | 16747 | 25593 | 45174 | 21532 | 34439 | 54020 | 26317 | 43285 |
| T6-S-601SRC6 | 32980 | 14355 | 20096 | | | | 15287 | 4785 | 2403 | 24133 | 9570 | 11249 | 32979 | 14355 | 20095 | 41825 | 19139 | 28941 | 50671 | 23924 | 37787 |
| T6-S-701SRC4 | 27482 | 11962 | 16747 | 19488 | 7638 | 8752 | 31566 | 14171 | 20831 | 43644 | 20704 | 32909 | 55722 | 27237 | 44987 | 67801 | 33770 | 57065 | 79879 | 40304 | 69144 |
| T6-S-701SRC5 | 32980 | 14355 | 20096 | 16138 | 5245 | 3255 | 28217 | 11778 | 15333 | 40295 | 18312 | 27411 | 52373 | 24844 | 39489 | 64451 | 31378 | 51567 | 76529 | 37911 | 63645 |
| T6-S-701SRC6 | 45030 | 19600 | 27439 | | | | 20874 | 6533 | 3283 | 32952 | 13067 | 15361 | 45030 | 19600 | 27439 | 57108 | 26133 | 39517 | 69186 | 32666 | 51596 |
| T6-S-801SRC4 | 32980 | 14355 | 20096 | 27327 | 11297 | 14443 | 43135 | 19847 | 30251 | 58943 | 28398 | 46059 | 74751 | 36949 | 61867 | 90558 | 45500 | 77674 | 106366 | 54050 | 93482 |
| T6-S-801SRC5 | 45030 | 19600 | 27439 | 19984 | 6052 | 2393 | 35792 | 14603 | 18201 | 51600 | 23154 | 34009 | 67408 | 31705 | 49817 | 83215 | 40255 | 65624 | 99023 | 48805 | 81432 |
| T6-S-801SRC6 | 58935 | 25652 | 35913 | | | | 27318 | 8550 | 4296 | 43126.2 | 17101 | 20104 | 58934 | 25652 | 35912 | 74742 | 34202 | 51719 | 90549 | 42753 | 67527 |
| T7-S-701SRC4 | 35093 | 15276 | 21386 | 20973 | 7638 | 7266 | 35092 | 15276 | 21385 | 49212 | 22914 | 35505 | 63331 | 30551 | 49624 | 77451 | 38189 | 63744 | 91570 | 45827 | 77863 |
| T7-S-701SRC5 | 45942 | 19999 | 27999 | | | | 28479 | 10552 | 10536 | 42599 | 18190 | 24656 | 56718 | 25828 | 38775 | 70838 | 33466 | 52895 | 84957 | 41104 | 67014 |
| T7-S-701SRC6 | 57428 | 24999 | 34999 | | | | | | | | | | 49719 | 20828 | 27289 | 63838 | 28466 | 41408 | 77958 | 36104 | 55528 |
| T7-S-801SRC4 | 45942 | 19999 | 27999 | 27458 | 10000 | 9514 | 45943 | 19999 | 28000 | 64429 | 29999 | 46485 | 82914 | 39998 | 64971 | 101400 | 49998 | 83456 | 119885 | 59998 | 101942 |
| T7-S-801SRC5 | 57428 | 24999 | 34999 | | | | 38943 | 14999 | 16514 | 57429 | 24999 | 34999 | 75914 | 34999 | 53485 | 94400 | 44998 | 71970 | 112885 | 54998 | 90456 |
| T7-S-801SRC6 | 72802 | 31691 | 44367 | | | | 29575 | 8308 | 1140 | 48061 | 18307 | 19625 | 66546 | 28307 | 38111 | 85032 | 38307 | 56596 | 103517 | 48306 | 75082 |
| T7-S-901SRC4 | 57428 | 24999 | 34999 | 35302 | 13030 | 12872 | 58736 | 25706 | 36306 | 82169 | 38382 | 59740 | 105603 | 51059 | 83173 | 129036 | 63735 | 106607 | 152470 | 76411 | 130040 |
| T7-S-901SRC5 | 72802 | 31691 | 44367 | | | | 49367 | 19014 | 20932 | 72801 | 31691 | 44366 | 96235 | 44367 | 67799 | 119668 | 57043 | 91233 | 143102 | 69719 | 114666 |
| T7-S-901SRC6 | 89980 | 39169 | 54837 | | | | | | | 62331 | 24212 | 27188 | 85764 | 36888 | 50621 | 109198 | 49564 | 74055 | 132631 | 62241 | 97488 |
| T7-S-1001SRC4 | 72802 | 31691 | 44367 | 42525 | 15313 | 14089 | 68589 | 29412 | 40154 | 100452 | 46648 | 72017 | 129416 | 62316 | 100981 | 158380 | 77984 | 129944 | 187344 | 93652 | 158908 |
| T7-S-1001SRC5 | 89980 | 39169 | 54837 | | | | 58119 | 21934 | 22976 | 89982 | 39169 | 54839 | 118946 | 54837 | 83803 | 147909 | 70505 | 112766 | 176873 | 86173 | 141730 |
| T7-S-1001SRC6 | 107977 | 47003 | 65805 | | | | 47152 | 14100 | 4979 | 79014 | 31336 | 36842 | 107978 | 47003 | 65805 | 136942 | 62671 | 94769 | 165906 | 78339 | 123733 |

Note: 1. "FC" stands for "power source lost, closed", and "FO" stands for "power source lost, open".

2. The standard operating pressure is 4 bar to 6 bar. For pressures below 4 bar or above 6 bar, please contact the sales department of Stard Automation.

Actuator Torque Meter

FO Symmetrical Spring-Return Actuator Torque Data (Nm)

| Model | Spring Output Torque (Nm) | | | Operating Pressure (Bar) | | | | | | | | | | | | | | | | | |
|--------------|---------------------------|------|------|-----------------------------|-----|------|------|------|------|------|------|------|------|------|------|------|------|------|-------|------|------|
| | | | | 3bar | | | 4bar | | | 5bar | | | 6bar | | | 7bar | | | 8bar | | |
| | 0° | 45° | 90° | Pressure Torque Output (Nm) | | | | | | | | | | | | | | | | | |
| | | | 90° | 45° | 0° | 90° | 45° | 0° | 90° | 45° | 0° | 90° | 45° | 0° | 90° | 45° | 0° | 90° | 45° | 0° | |
| T0-S-115SRO4 | 270 | 132 | 185 | 158 | 67 | 72 | 272 | 133 | 187 | 386 | 199 | 301 | 500 | 265 | 415 | 614 | 332 | 529 | 729 | 398 | 644 |
| T0-S-115SRO5 | 341 | 166 | 232 | | | | 225 | 99 | 116 | 339 | 165 | 230 | 453 | 231 | 345 | 567 | 298 | 458 | 682 | 364 | 573 |
| T0-S-115SRO6 | 407 | 199 | 279 | | | | 178 | 66 | 50 | 292 | 132 | 164 | 406 | 198 | 278 | 520 | 265 | 392 | 635 | 331 | 507 |
| T0-S-155SRO4 | 502 | 245 | 343 | 290 | 122 | 131 | 501 | 244 | 342 | 712 | 367 | 553 | 923 | 489 | 764 | 1134 | 611 | 975 | 1345 | 734 | 1186 |
| T0-S-155SRO5 | 628 | 306 | 428 | | | | 416 | 183 | 216 | 627 | 306 | 427 | 838 | 428 | 638 | 1049 | 550 | 849 | 1260 | 673 | 1060 |
| T0-S-155SRO6 | 752 | 367 | 514 | | | | 330 | 122 | 92 | 541 | 245 | 303 | 752 | 367 | 514 | 963 | 489 | 725 | 1174 | 612 | 936 |
| T1-S-201SRO4 | 821 | 357 | 500 | 492 | 179 | 171 | 822 | 357 | 501 | 1152 | 536 | 831 | 1483 | 715 | 1162 | 1814 | 894 | 1493 | 2144 | 1072 | 1823 |
| T1-S-201SRO5 | 1028 | 447 | 626 | | | | 696 | 267 | 294 | 1026 | 446 | 624 | 1357 | 625 | 955 | 1688 | 804 | 1286 | 2018 | 982 | 1616 |
| T1-S-201SRO6 | 1233 | 536 | 750 | | | | 572 | 178 | 89 | 902 | 357 | 419 | 1233 | 536 | 750 | 1564 | 715 | 1081 | 1894 | 893 | 1411 |
| T1-S-251SRO4 | 1028 | 447 | 626 | 941 | 400 | 539 | 1463 | 682 | 1061 | 1985 | 964 | 1583 | 2508 | 1247 | 2106 | 3031 | 1530 | 2629 | 3553 | 1812 | 3151 |
| T1-S-251SRO5 | 1233 | 536 | 750 | 817 | 311 | 334 | 1339 | 593 | 856 | 1861 | 875 | 1378 | 2384 | 1158 | 1901 | 2907 | 1441 | 2424 | 3429 | 1723 | 2946 |
| T1-S-251SRO6 | 1948 | 847 | 1186 | | | | 903 | 282 | 141 | 1425 | 564 | 663 | 1948 | 847 | 1186 | 2471 | 1130 | 1709 | 2993 | 1412 | 2231 |
| T2-S-251SRO4 | 1624 | 707 | 990 | 972 | 354 | 338 | 1625 | 707 | 991 | 2279 | 1061 | 1645 | 2933 | 1415 | 2299 | 3587 | 1769 | 2953 | 4241 | 2123 | 3607 |
| T2-S-251SRO5 | 2031 | 884 | 1238 | | | | 1377 | 530 | 584 | 2031 | 884 | 1238 | 2685 | 1238 | 1892 | 3339 | 1592 | 2546 | 3993 | 1946 | 3200 |
| T2-S-251SRO6 | 2438 | 1061 | 1485 | | | | 1130 | 353 | 177 | 1784 | 707 | 831 | 2438 | 1061 | 1485 | 3092 | 1415 | 2139 | 3746 | 1769 | 2793 |
| T2-S-301SRO4 | 2031 | 884 | 1238 | 1604 | 653 | 811 | 2551 | 1165 | 1758 | 3498 | 1678 | 2705 | 4446 | 2190 | 3653 | 5393 | 2703 | 4600 | 6341 | 3215 | 5548 |
| T2-S-301SRO5 | 2438 | 1061 | 1485 | 1357 | 476 | 404 | 2304 | 988 | 1351 | 3251 | 1501 | 2298 | 4199 | 2013 | 3246 | 5146 | 2526 | 4193 | 6094 | 3038 | 5141 |
| T2-S-301SRO6 | 3531 | 1537 | 2152 | | | | 1637 | 512 | 258 | 2584 | 1025 | 1205 | 3532 | 1537 | 2153 | 4479 | 2050 | 3100 | 5427 | 2562 | 4048 |
| T3-S-301SRO4 | 2335 | 1012 | 1417 | 1398 | 506 | 480 | 2336 | 1012 | 1418 | 3274 | 1518 | 2356 | 4212 | 2024 | 3294 | 5151 | 2531 | 4233 | 6089 | 3037 | 5171 |
| T3-S-301SRO5 | 3199 | 1386 | 1940 | | | | 1813 | 638 | 554 | 2751 | 1144 | 1492 | 3689 | 1650 | 2430 | 4628 | 2157 | 3369 | 5566 | 2663 | 4307 |
| T3-S-301SRO6 | 3999 | 1733 | 2426 | | | | 2265 | 797 | 692 | 3203 | 1303 | 1630 | 4142 | 1810 | 2569 | 5080 | 2316 | 3507 | | | 3507 |
| T3-S-351SRO4 | 3199 | 1386 | 1940 | 1915 | 693 | 656 | 3199 | 1386 | 1940 | 4484 | 2079 | 3225 | 5769 | 2772 | 4510 | 7054 | 3466 | 5795 | 8339 | 4159 | 7080 |
| T3-S-351SRO5 | 3999 | 1733 | 2426 | | | | 2713 | 1039 | 1140 | 3998 | 1732 | 2425 | 5283 | 2425 | 3710 | 6568 | 3119 | 4995 | 7853 | 3812 | 6280 |
| T3-S-351SRO6 | 4797 | 2079 | 2911 | | | | 2228 | 693 | 342 | 3513 | 1386 | 1627 | 4798 | 2079 | 2912 | 6083 | 2773 | 4197 | 7368 | 3466 | 5482 |
| T3-S-401SRO4 | 3999 | 1733 | 2426 | 2629 | 994 | 1056 | 4293 | 1891 | 2720 | 5972 | 2797 | 4399 | 7652 | 3703 | 6079 | 9368 | 4629 | 7795 | 11053 | 5538 | 9480 |
| T3-S-401SRO5 | 4797 | 2079 | 2911 | 2144 | 648 | 258 | 3808 | 1545 | 1922 | 5487 | 2451 | 3601 | 7167 | 3357 | 5281 | 8883 | 4283 | 6997 | 10568 | 5192 | 8682 |
| T3-S-401SRO6 | 6292 | 2727 | 3818 | | | | 2901 | 897 | 427 | 4580 | 1803 | 2106 | 6260 | 2709 | 3786 | 7976 | 3635 | 5502 | 9661 | 4544 | 7187 |

Note: 1. "FC" stands for "power source lost, closed", and "FO" stands for "power source lost, open".
 2. The standard operating pressure is 4 bar to 6 bar. For pressures below 4 bar or above 6 bar, please contact the sales department of Stard Automation.

FO Symmetrical Spring-Return Actuator Torque Data (Nm)

| Model | Spring Output Torque (Nm) | | | Operating Pressure (Bar) | | | | | | | | | | | | | | | | | |
|---------------|---------------------------|-------|-------|-----------------------------|-------|-------|-------|-------|-------|---------|-------|-------|--------|-------|--------|--------|-------|--------|--------|-------|--------|
| | | | | 3bar | | | 4bar | | | 5bar | | | 6bar | | | 7bar | | | 8bar | | |
| | | | | Pressure Torque Output (Nm) | | | | | | | | | | | | | | | | | |
| | 0° | 45° | 90° | 90° | 45° | 0° | 90° | 45° | 0° | 90° | 45° | 0° | 90° | 45° | 0° | 90° | 45° | 0° | 90° | 45° | 0° |
| T4-S-401SRO4 | 5828 | 2533 | 3546 | 3484 | 1266 | 1203 | 5828 | 2533 | 3546 | 8171 | 3799 | 5890 | 10515 | 5066 | 8233 | 12858 | 6332 | 10577 | 15202 | 7599 | 12920 |
| T4-S-401SRO5 | 7285 | 3166 | 4432 | | | | 4942 | 1900 | 2089 | 7285 | 3166 | 4433 | 9629 | 4433 | 6776 | 11972 | 5699 | 9120 | 14316 | 6966 | 11463 |
| T4-S-401SRO6 | 8743 | 3799 | 5319 | | | | 4055 | 1266 | 632 | 6398 | 2533 | 2975 | 8742 | 3799 | 5319 | 11085 | 5066 | 7662 | 13429 | 6332 | 10006 |
| T4-S-451SRO4 | 7285 | 3166 | 4432 | 4502 | 1662 | 1649 | 7480 | 3271 | 4627 | 10458 | 4881 | 7605 | 13436 | 6490 | 10583 | 16414 | 8100 | 13561 | 19392 | 9709 | 16539 |
| T4-S-451SRO5 | 8743 | 3799 | 5319 | 3615 | 1029 | 192 | 6593 | 2638 | 3170 | 9571 | 4247 | 6148 | 12549 | 5857 | 9126 | 15527 | 7466 | 12104 | 18505 | 9076 | 15082 |
| T4-S-451SRO6 | 11109 | 4828 | 6759 | | | | 5153 | 1609 | 803 | 8131 | 3219 | 3781 | 11109 | 4828 | 6759 | 14087 | 6437 | 9737 | 17065 | 8047 | 12715 |
| T4-S-501SRO4 | 8743 | 3799 | 5319 | 5742 | 2178 | 2319 | 9429 | 4171 | 6006 | 13117 | 6164 | 9693 | 16804 | 8156 | 13380 | 20491 | 10149 | 17068 | 24178 | 12141 | 20755 |
| T4-S-501SRO5 | 11109 | 4828 | 6759 | | | | 7989 | 3142 | 3639 | 11676 | 5135 | 7326 | 15364 | 7127 | 11013 | 19051 | 9120 | 14701 | 22738 | 11113 | 18388 |
| T4-S-501SRO6 | 13755 | 5978 | 8369 | | | | 6380 | 1993 | 994 | 10067 | 3985 | 4681 | 13754 | 5978 | 8368 | 17441 | 7970 | 12055 | 21128 | 9963 | 15743 |
| T5-S-451SRO4 | 10179 | 4423 | 6192 | 6086 | 2211 | 2098 | 10178 | 4423 | 6191 | 14271 | 6634 | 10283 | 18363 | 8845 | 14376 | 22455 | 11057 | 18468 | 26548 | 13268 | 22561 |
| T5-S-451SRO5 | 12722 | 5528 | 7740 | | | | 8630 | 3317 | 3648 | 12723 | 5528 | 7740 | 16815 | 7740 | 11833 | 20908 | 9951 | 15925 | 25000 | 12162 | 20018 |
| T5-S-451SRO6 | 15267 | 6634 | 9288 | | | | 7082 | 2211 | 1103 | 11175 | 4423 | 5195 | 15267 | 6634 | 9288 | 19360 | 8845 | 13380 | 23452 | 11057 | 17473 |
| T5-S-501SRO4 | 12722 | 5528 | 7740 | 7470 | 2690 | 2487 | 12540 | 5429 | 7557 | 17609 | 8169 | 12627 | 22679 | 10908 | 17697 | 27749 | 13648 | 22766 | 32819 | 16387 | 27836 |
| T5-S-501SRO5 | 15267 | 6634 | 9288 | | | | 10992 | 4324 | 5012 | 16061 | 7063 | 10082 | 21131 | 9803 | 15152 | 26201 | 12542 | 20222 | 31271 | 15281 | 25292 |
| T5-S-501SRO6 | 18913 | 8218 | 11506 | | | | 8774 | 2739 | 1366 | 13843 | 5479 | 6436 | 18913 | 8218 | 11506 | 23983 | 10958 | 16576 | 29053 | 13697 | 21646 |
| T5-S-551SRO4 | 15267 | 6634 | 9288 | 9162 | 3335 | 3183 | 15312 | 6658 | 9333 | 21462 | 9982 | 15483 | 27612 | 13305 | 21633 | 33762 | 16628 | 27783 | 39912 | 19951 | 33933 |
| T5-S-551SRO5 | 18913 | 8218 | 11506 | | | | 13094 | 5074 | 5687 | 19244 | 8397 | 11837 | 25394 | 11720 | 17987 | 31544 | 15043 | 24137 | 37694 | 18367 | 30287 |
| T5-S-551SRO6 | 22942 | 9969 | 13957 | | | | 10643 | 3323 | 1658 | 16793 | 6646 | 7808 | 22943 | 9969 | 13958 | 29093 | 13292 | 20108 | 35243 | 16616 | 26258 |
| T5-S-601SRO4 | 18913 | 8218 | 11506 | 10494 | 3669 | 3087 | 17827 | 7631 | 10420 | 25160 | 11594 | 17753 | 32493 | 15556 | 25086 | 39826 | 19518 | 32419 | 47159 | 23481 | 39752 |
| T5-S-601SRO5 | 22942 | 9969 | 13957 | | | | 15375 | 5880 | 6391 | 22708 | 9843 | 13724 | 30041 | 13805 | 21057 | 37375 | 17767 | 28390 | 44708 | 21730 | 35723 |
| T5-S-601SRO6 | 27356 | 11887 | 16642 | | | | 12690 | 3962 | 1976 | 20023 | 7925 | 9309 | 27357 | 11887 | 16643 | 34690 | 15850 | 23976 | 42023 | 19812 | 31309 |
| T6-S-601SRO4 | 21987 | 9570 | 13398 | 13140 | 4785 | 4551 | 21986 | 9570 | 13397 | 30832 | 14355 | 22243 | 39678 | 19139 | 31089 | 48524 | 23924 | 39935 | 57370 | 28709 | 48781 |
| T6-S-601SRO5 | 27482 | 11962 | 16747 | | | | 18637 | 7177 | 7901 | 27483 | 11962 | 16747 | 36329 | 16747 | 25593 | 45174 | 21532 | 34439 | 54020 | 26317 | 43285 |
| T6-S-601SRO6 | 32980 | 14355 | 20096 | | | | 15287 | 4785 | 2403 | 24133 | 9570 | 11249 | 32979 | 14355 | 20095 | 41825 | 19139 | 28941 | 50671 | 23924 | 37787 |
| T6-S-701SRO4 | 27482 | 11962 | 16747 | 19488 | 7638 | 8752 | 31566 | 14171 | 20831 | 43644 | 20704 | 32909 | 55722 | 27237 | 44987 | 67801 | 33770 | 57065 | 79879 | 40304 | 69144 |
| T6-S-701SRO5 | 32980 | 14355 | 20096 | 16138 | 5245 | 3255 | 28217 | 11778 | 15333 | 40295 | 18312 | 27411 | 52373 | 24844 | 39489 | 64451 | 31378 | 51567 | 76529 | 37911 | 63645 |
| T6-S-701SRO6 | 45030 | 19600 | 27439 | | | | 20874 | 6533 | 3283 | 32952 | 13067 | 15361 | 45030 | 19600 | 27439 | 57108 | 26133 | 39517 | 69186 | 32666 | 51596 |
| T6-S-801SRO4 | 32980 | 14355 | 20096 | 27327 | 11297 | 14443 | 43135 | 19847 | 30251 | 58943 | 28398 | 46059 | 74751 | 36949 | 61867 | 90558 | 45500 | 77674 | 106366 | 54050 | 93482 |
| T6-S-801SRO5 | 45030 | 19600 | 27439 | 19984 | 6052 | 2393 | 35792 | 14603 | 18201 | 51600 | 23154 | 34009 | 67408 | 31705 | 49817 | 83215 | 40255 | 65624 | 99023 | 48805 | 81432 |
| T6-S-801SRO6 | 58935 | 25652 | 35913 | | | | 27318 | 8550 | 4296 | 43126.2 | 17101 | 20104 | 58934 | 25652 | 35912 | 74742 | 34202 | 51719 | 90549 | 42753 | 67527 |
| T7-S-701SRO4 | 35093 | 15276 | 21386 | 20973 | 7638 | 7266 | 35092 | 15276 | 21385 | 49212 | 22914 | 35505 | 63331 | 30551 | 49624 | 77451 | 38189 | 63744 | 91570 | 45827 | 77863 |
| T7-S-701SRO5 | 45942 | 19999 | 27999 | | | | 28479 | 10552 | 10536 | 42599 | 18190 | 24656 | 56718 | 25828 | 38775 | 70838 | 33466 | 52895 | 84957 | 41104 | 67014 |
| T7-S-701SRO6 | 57428 | 24999 | 34999 | | | | | | | | | | 49719 | 20828 | 27289 | 63838 | 28466 | 41408 | 77958 | 36104 | 55528 |
| T7-S-801SRO4 | 45942 | 19999 | 27999 | 27458 | 10000 | 9514 | 45943 | 19999 | 28000 | 64429 | 29999 | 46485 | 82914 | 39998 | 64971 | 101400 | 49998 | 83456 | 119885 | 59998 | 101942 |
| T7-S-801SRO5 | 57428 | 24999 | 34999 | | | | 38943 | 14999 | 16514 | 57429 | 24999 | 34999 | 75914 | 34999 | 53485 | 94400 | 44998 | 71970 | 112885 | 54998 | 90456 |
| T7-S-801SRO6 | 72802 | 31691 | 44367 | | | | 29575 | 8308 | 1140 | 48061 | 18307 | 19625 | 66546 | 28307 | 38111 | 85032 | 38307 | 56596 | 103517 | 48306 | 75082 |
| T7-S-901SRO4 | 57428 | 24999 | 34999 | 35302 | 13030 | 12872 | 58736 | 25706 | 36306 | 82169 | 38382 | 59740 | 105603 | 51059 | 83173 | 129036 | 63735 | 106607 | 152470 | 76411 | 130040 |
| T7-S-901SRO5 | 72802 | 31691 | 44367 | | | | 49367 | 19014 | 20932 | 72801 | 31691 | 44366 | 96235 | 44367 | 67799 | 119668 | 57043 | 91233 | 143102 | 69719 | 114666 |
| T7-S-901SRO6 | 89980 | 39169 | 54837 | | | | | | | 62331 | 24212 | 27188 | 85764 | 36888 | 50621 | 109198 | 49564 | 74055 | 132631 | 62241 | 97488 |
| T7-S-1001SRO4 | 72802 | 31691 | 44367 | 42525 | 15313 | 14089 | 68589 | 29412 | 40154 | 100452 | 46648 | 72017 | 129416 | 62316 | 100981 | 158380 | 77984 | 129944 | 187344 | 93652 | 158908 |
| T7-S-1001SRO5 | 89980 | 39169 | 54837 | | | | 58119 | 21934 | 22976 | 89982 | 39169 | 54839 | 118946 | 54837 | 83803 | 147909 | 70505 | 112766 | 176873 | 86173 | 141730 |
| T7-S-1001SRO6 | 107977 | 47003 | 65805 | | | | 47152 | 14100 | 4979 | 79014 | 31336 | 36842 | 107978 | 47003 | 65805 | 136942 | 62671 | 94769 | 165906 | 78339 | 123733 |

Note: 1. "FC" stands for "power source lost, closed", and "FO" stands for "power source lost, open".
 2. The standard operating pressure is 4 bar to 6 bar. For pressures below 4 bar or above 6 bar, please contact the sales department of Stard Automation.

Actuator Torque Meter

FC Canted Spring-Return Actuator Torque Data (Nm)

| Model | Spring Output Torque (Nm) | | | Operating Pressure (Bar) | | | | | | | | | | | | | | | | | |
|--------------|---------------------------|------|-------|-----------------------------|------|-----|------|------|------|-------|------|------|-------|------|-------|-------|------|-------|-------|-------|-------|
| | | | | 3bar | | | 4bar | | | 5bar | | | 6bar | | | 7bar | | | 8bar | | |
| | 90° | 45° | 0° | Pressure Torque Output (Nm) | | | | | | | | | | | | | | | | | |
| | | | 0° | 45° | 90° | 0° | 45° | 90° | 0° | 45° | 90° | 0° | 45° | 90° | 0° | 45° | 90° | 0° | 45° | 90° | |
| T1-C-201SRC4 | 860 | 441 | 773 | | | | 773 | 265 | 287 | 1160 | 442 | 574 | 1547 | 618 | 860 | 1933 | 794 | 1146 | 2319 | 971 | 1432 |
| T1-C-201SRC5 | 1076 | 552 | 967 | | | | 580 | 155 | 71 | 966 | 331 | 358 | 1353 | 507 | 644 | 1740 | 684 | 931 | 2126 | 861 | 1217 |
| T1-C-201SRC6 | 1291 | 662 | 1160 | 866 | 285 | 283 | | | | 773 | 220 | 143 | 1160 | 397 | 429 | 1546 | 573 | 716 | 1932 | 750 | 1002 |
| T1-C-251SRC4 | 1076 | 552 | 967 | 672 | 174 | 68 | 1477 | 564 | 736 | 2088 | 843 | 1190 | 2699 | 1122 | 1643 | 3310 | 1402 | 2096 | 3921 | 1681 | 2549 |
| T1-C-251SRC5 | 1291 | 662 | 1160 | | | | 1284 | 454 | 523 | 1895 | 733 | 975 | 2506 | 1012 | 1428 | 3116 | 1291 | 1881 | 3727 | 1570 | 2334 |
| T1-C-251SRC6 | 2040 | 1047 | 1833 | | | | | | | 1223 | 349 | 229 | 1833 | 627 | 679 | 2444 | 907 | 1133 | 3055 | 1186 | 1586 |
| T2-C-251SRC4 | 1702 | 874 | 1530 | | | | 1529 | 524 | 567 | 2294 | 874 | 1134 | 3059 | 1223 | 1702 | 3824 | 1573 | 2270 | 4589 | 1923 | 2837 |
| T2-C-251SRC5 | 2128 | 1092 | 1912 | | | | 1147 | 306 | 141 | 1912 | 656 | 708 | 2677 | 1005 | 1276 | 3442 | 1355 | 1844 | 4207 | 1705 | 2411 |
| T2-C-251SRC6 | 2553 | 1311 | 2295 | 1413 | 428 | 338 | | | | 1529 | 437 | 283 | 2294 | 786 | 851 | 3059 | 1136 | 1419 | 3824 | 1486 | 1986 |
| T2-C-301SRC4 | 2128 | 1092 | 1912 | | | | 2520 | 934 | 1160 | 3629 | 1440 | 1982 | 4737 | 1947 | 2804 | 5845 | 2454 | 3626 | 6954 | 2960 | 4448 |
| T2-C-301SRC5 | 2553 | 1311 | 2295 | | | | 2137 | 715 | 735 | 3246 | 1221 | 1557 | 4354 | 1728 | 2379 | 5462 | 2235 | 3201 | 6571 | 2741 | 4023 |
| T2-C-301SRC6 | 3699 | 1899 | 3325 | | | | | | | 2216 | 633 | 411 | 3324 | 1140 | 1233 | 4432 | 1647 | 2055 | 5541 | 2153 | 2877 |
| T3-C-301SRC4 | 2442 | 1250 | 2191 | | | | 2191 | 751 | 814 | 3287 | 1251 | 1628 | 4383 | 1751 | 2442 | 5479 | 2252 | 3257 | 6574 | 2752 | 4071 |
| T3-C-301SRC5 | 3345 | 1712 | 3001 | | | | | | | 2477 | 789 | 725 | 3573 | 1289 | 1539 | 4669 | 1790 | 2354 | 5764 | 2290 | 3168 |
| T3-C-301SRC6 | 4386 | 2245 | 3935 | | | | | | | 1543 | 256 | -316 | 2639 | 756 | 498 | 3735 | 1257 | 1313 | 4830 | 1757 | 2127 |
| T3-C-351SRC4 | 3345 | 1712 | 3001 | | | | 3000 | 1028 | 1114 | 4501 | 1713 | 2229 | 6001 | 2398 | 3344 | 7502 | 3084 | 4459 | 9003 | 3769 | 5574 |
| T3-C-351SRC5 | 4386 | 2245 | 3935 | | | | 2066 | 495 | 73 | 3567 | 1180 | 1188 | 5067 | 1865 | 2303 | 6568 | 2551 | 3418 | 8069 | 3236 | 4533 |
| T3-C-351SRC6 | 5482 | 2807 | 4919 | | | | | | | 2583 | 618 | 92 | 4083 | 1303 | 1207 | 5584 | 1989 | 2322 | 7085 | 2674 | 3437 |
| T3-C-401SRC4 | 4386 | 2245 | 3935 | | | | 3934 | 1348 | 1461 | 5902 | 2246 | 2923 | 7869 | 3145 | 4385 | 9837 | 4044 | 5847 | 11805 | 4942 | 7309 |
| T3-C-401SRC5 | 5482 | 2807 | 4919 | | | | 3934 | 1348 | 1461 | 4918 | 1684 | 1827 | 6885 | 2583 | 3289 | 8853 | 3482 | 4751 | 10821 | 4380 | 6213 |
| T3-C-401SRC6 | 6579 | 3368 | 5902 | | | | 2950 | 786 | 365 | 3935 | 1123 | 730 | 5902 | 2022 | 2192 | 7870 | 2921 | 3654 | 9838 | 3819 | 5116 |
| T4-C-401SRC4 | 6121 | 3139 | 5499 | | | | 5499 | 1885 | 2040 | 8248 | 3141 | 4080 | 10998 | 4397 | 6120 | 13683 | 5624 | 8113 | 16423 | 6876 | 10147 |
| T4-C-401SRC5 | 7772 | 3986 | 6983 | | | | 4015 | 1038 | 389 | 6764 | 2294 | 2429 | 9514 | 3550 | 4469 | 12199 | 4777 | 6462 | 14939 | 6029 | 8496 |
| T4-C-401SRC6 | 9618 | 4933 | 8641 | | | | | | | 5106 | 1347 | 583 | 7856 | 2603 | 2623 | 10541 | 3830 | 4616 | 13281 | 5082 | 6650 |
| T4-C-451SRC4 | 7772 | 3986 | 6983 | | | | 6982 | 2394 | 2591 | 10474 | 3989 | 5182 | 13965 | 5584 | 7773 | 17392 | 7150 | 10316 | 20875 | 8740 | 12900 |
| T4-C-451SRC5 | 9618 | 4933 | 8641 | | | | 5324 | 1447 | 745 | 8816 | 3042 | 3336 | 12307 | 4637 | 5927 | 15734 | 6203 | 8470 | 19217 | 7793 | 11054 |
| T4-C-451SRC6 | 12023 | 6167 | 10801 | 3436 | 1004 | 523 | | | | 6656 | 1808 | 931 | 10147 | 3403 | 3522 | 13574 | 4969 | 6065 | 17057 | 6559 | 8649 |
| T4-C-501SRC4 | 9618 | 4933 | 8641 | | | | 7461 | 2983 | 3903 | 11487 | 4962 | 7283 | 15512 | 6941 | 10663 | 19538 | 8920 | 14043 | 23563 | 10899 | 17424 |
| T4-C-501SRC5 | 12023 | 6167 | 10801 | | | | 5301 | 1749 | 1498 | 9327 | 3728 | 4878 | 13352 | 5707 | 8258 | 17378 | 7686 | 11638 | 21403 | 9665 | 15019 |

Note: 1. "FC" stands for "power source lost, closed", and "FO" stands for "power source lost, open".

2. The standard operating pressure is 4 bar to 6 bar. For pressures below 4 bar or above 6 bar, please contact the sales department of Stard Automation.



FC Canted Spring-Return Actuator Torque Data (Nm)

| Model | Spring Output Torque (Nm) | | | Operating Pressure (Bar) | | | | | | | | | | | | | | | | | |
|---------------|---------------------------|-------|--------|-----------------------------|------|------|-------|-------|-------|--------|-------|-------|--------|-------|-------|--------|-------|-------|--------|-------|--------|
| | | | | 3bar | | | 4bar | | | 5bar | | | 6bar | | | 7bar | | | 8bar | | |
| | 90° | 45° | 0° | Pressure Torque Output (Nm) | | | | | | | | | | | | | | | | | |
| | | | 0° | 45° | 90° | 0° | 45° | 90° | 0° | 45° | 90° | 0° | 45° | 90° | 0° | 45° | 90° | 0° | 45° | 90° | |
| T5-C-451SRC4 | 10652 | 5463 | 9575 | | | | 9575 | 3280 | 3551 | 14363 | 5466 | 7102 | 19151 | 7651 | 10653 | 23938 | 9837 | 14204 | 28726 | 12023 | 17755 |
| T5-C-451SRC5 | 13316 | 6829 | 11969 | | | | 7181 | 1914 | 887 | 11969 | 4100 | 4438 | 16757 | 6285 | 7989 | 21544 | 8471 | 11540 | 26332 | 10657 | 15091 |
| T5-C-451SRC6 | 15979 | 8195 | 14363 | | | | | | | 9575 | 2734 | 1775 | 14363 | 4919 | 5326 | 19150 | 7105 | 8877 | 23938 | 9291 | 12428 |
| T5-C-501SRC4 | 13316 | 6829 | 11969 | | | | 11755 | 4002 | 4279 | 17686 | 6710 | 8678 | 23617 | 9417 | 13077 | 29548 | 12125 | 17476 | 35479 | 14833 | 21874 |
| T5-C-501SRC5 | 15979 | 8195 | 14363 | | | | 9361 | 2636 | 1616 | 15292 | 5344 | 6015 | 21223 | 8051 | 10414 | 27154 | 10759 | 14813 | 33085 | 13467 | 19211 |
| T5-C-501SRC6 | 19795 | 10152 | 17793 | | | | | | | 11862 | 3387 | 2199 | 17793 | 6094 | 6598 | 23724 | 8802 | 10997 | 29655 | 11510 | 15395 |
| T5-C-551SRC4 | 15979 | 8195 | 14363 | 5790 | 1706 | 935 | 12508 | 5006 | 6573 | 19226 | 8307 | 12210 | 25943 | 11607 | 17848 | 32661 | 14908 | 23486 | 39379 | 18208 | 29124 |
| T5-C-551SRC5 | 19795 | 10152 | 17793 | | | | 9078 | 3049 | 2757 | 15796 | 6350 | 8394 | 22513 | 9650 | 14032 | 29231 | 12951 | 19670 | 35949 | 16251 | 25308 |
| T5-C-551SRC6 | 24012 | 12314 | 21584 | | | | | | | 12005 | 4188 | 4177 | 18722 | 7488 | 9815 | 25440 | 10789 | 15453 | 32158 | 14089 | 21091 |
| T5-C-601SRC4 | 19795 | 10152 | 17793 | 6237 | 1654 | 372 | 14247 | 5589 | 7095 | 22257 | 9524 | 13817 | 30267 | 13460 | 20540 | 38277 | 17395 | 27262 | 46287 | 21330 | 33985 |
| T5-C-601SRC5 | 24012 | 12314 | 21584 | | | | 10456 | 3427 | 2878 | 18466 | 7362 | 9600 | 26476 | 11298 | 16323 | 34486 | 15233 | 23045 | 42496 | 19168 | 29768 |
| T5-C-601SRC6 | 28631 | 14683 | 25736 | | | | | | | 14314 | 4993 | 4981 | 22324 | 8929 | 11704 | 30334 | 12864 | 18426 | 38344 | 16799 | 25149 |
| T6-C-601SRC4 | 23026 | 11821 | 20705 | | | | 20705 | 7097 | 7675 | 31057 | 11827 | 15351 | 41410 | 16557 | 23026 | 51762 | 21286 | 30702 | 62115 | 26016 | 38377 |
| T6-C-601SRC5 | 31440 | 16141 | 28270 | | | | | | | 23492 | 7507 | 6937 | 33845 | 12237 | 14612 | 44197 | 16966 | 22288 | 54550 | 21696 | 29963 |
| T6-C-601SRC6 | 39300 | 20176 | 35338 | | | | | | | | | | 26777 | 8202 | 6752 | 37129 | 12931 | 14428 | 47482 | 17661 | 22103 |
| T6-C-701SRC4 | 31440 | 16141 | 28270 | | | | 28271 | 9690 | 10480 | 42406 | 16148 | 20960 | 56541 | 22606 | 31440 | 70676 | 29064 | 41920 | 84812 | 35521 | 52399 |
| T6-C-701SRC5 | 39300 | 20176 | 35338 | | | | 21203 | 5655 | 2620 | 35338 | 12113 | 13100 | 49473 | 18571 | 23580 | 63608 | 25029 | 34060 | 77744 | 31486 | 44539 |
| T6-C-701SRC6 | 51435 | 26406 | 46250 | | | | | | | 24426 | 5883 | 965 | 38561 | 12341 | 11445 | 52696 | 18799 | 21925 | 66832 | 25256 | 32404 |
| T6-C-801SRC4 | 15979 | 8195 | 14363 | 20162 | 5180 | 1848 | 38662 | 13632 | 15564 | 57162 | 22083 | 29280 | 75662 | 30535 | 42996 | 94162 | 38987 | 56712 | 112662 | 47439 | 70428 |
| T6-C-801SRC5 | 51435 | 26406 | 46250 | | | | 27750 | 7402 | 3429 | 46250 | 15853 | 17145 | 64750 | 24305 | 30861 | 83250 | 32757 | 44577 | 101750 | 41209 | 58293 |
| T6-C-801SRC6 | 61722 | 31687 | 55500 | | | | | | | 37000 | 10572 | 6858 | 55500 | 19024 | 20574 | 74000 | 27476 | 34290 | 92500 | 35928 | 48006 |
| T7-C-701SRC4 | 36753 | 18870 | 33056 | | | | 33057 | 11329 | 12251 | 49585 | 18878 | 24502 | 66113 | 26428 | 36753 | 82641 | 33978 | 49004 | 99169 | 41527 | 61255 |
| T7-C-701SRC5 | 48117 | 24704 | 43278 | | | | 22835 | 5495 | 887 | 39363 | 13044 | 13138 | 55891 | 20594 | 25389 | 72419 | 28144 | 37640 | 88947 | 35693 | 49891 |
| T7-C-701SRC6 | 60147 | 30880 | 54097 | | | | | | | 28544 | 6868 | 1108 | 45072 | 14418 | 13359 | 61600 | 21968 | 25610 | 78128 | 29517 | 37861 |
| T7-C-801SRC4 | 48117 | 24704 | 43278 | | | | 43278 | 14833 | 16040 | 64917 | 24717 | 32079 | 86556 | 34601 | 48118 | 108195 | 44485 | 64157 | 129833 | 54369 | 80196 |
| T7-C-801SRC5 | 60147 | 30880 | 54097 | | | | 32459 | 8657 | 4010 | 54098 | 18541 | 20049 | 75737 | 28425 | 36088 | 97376 | 38309 | 52127 | 119014 | 48193 | 68166 |
| T7-C-801SRC6 | 76246 | 39146 | 68578 | | | | | | | 39617 | 10275 | 3950 | 61256 | 20159 | 19989 | 82895 | 30043 | 36028 | 104533 | 39927 | 52067 |
| T7-C-901SRC4 | 60147 | 30880 | 54097 | 28196 | 6710 | 850 | 55627 | 19239 | 21183 | 83059 | 31769 | 41515 | 110490 | 44299 | 61847 | 137921 | 56829 | 82180 | 165352 | 69359 | 102512 |
| T7-C-901SRC5 | 76246 | 39146 | 68578 | | | | 41146 | 10973 | 5084 | 68578 | 23503 | 25416 | 96009 | 36033 | 45748 | 123440 | 48563 | 66081 | 150871 | 61093 | 86413 |
| T7-C-901SRC6 | 94240 | 48385 | 84762 | | | | | | | 52394 | 14264 | 7422 | 79825 | 26794 | 27754 | 107256 | 39324 | 48087 | 134687 | 51854 | 68419 |
| T7-C-1001SRC4 | 76246 | 39146 | 68578 | | | | 67041 | 22801 | 24277 | 100946 | 38288 | 49408 | 134850 | 53775 | 74538 | 168755 | 69262 | 99669 | 202660 | 84749 | 124800 |
| T7-C-1001SRC5 | 94240 | 48385 | 84762 | | | | 50857 | 13562 | 6283 | 84762 | 29049 | 31414 | 118666 | 44536 | 5654 | 152571 | 60023 | 81675 | 186476 | 75510 | 106806 |
| T7-C-1001SRC6 | 113088 | 58061 | 101714 | | | | | | | 67810 | 19373 | 12566 | 101714 | 34860 | 65805 | 135619 | 50347 | 62827 | 169524 | 65834 | 87958 |

Note: 1. "FC" stands for "power source lost, closed", and "FO" stands for "power source lost, open".
 2. The standard operating pressure is 4 bar to 6 bar. For pressures below 4 bar or above 6 bar, please contact the sales department of Stard Automation.

Actuator Torque Meter

FO Canted Spring-Return Actuator Torque Data (Nm)

| Model | Spring Output Torque (Nm) | | | Operating Pressure (Bar) | | | | | | | | | | | | | | | | | |
|--------------|---------------------------|------|------|-----------------------------|------|------|------|------|------|-------|------|-------|-------|------|-------|-------|-------|-------|-------|-------|-------|
| | | | | 3bar | | | 4bar | | | 5bar | | | 6bar | | | 7bar | | | 8bar | | |
| | 0° | 45° | 90° | Pressure Torque Output (Nm) | | | | | | | | | | | | | | | | | |
| | | | 90° | 45° | 0° | 90° | 45° | 0° | 90° | 45° | 0° | 90° | 45° | 0° | 90° | 45° | 0° | 90° | 45° | 0° | |
| T1-C-201SRO4 | 773 | 265 | 287 | 573 | 265 | 387 | 861 | 442 | 774 | 1148 | 619 | 1161 | 1436 | 795 | 1548 | 1721 | 971 | 1934 | 2007 | 1148 | 2320 |
| T1-C-201SRO5 | 968 | 332 | 359 | 501 | 198 | 192 | 789 | 375 | 579 | 1076 | 552 | 966 | 1364 | 728 | 1353 | 1649 | 904 | 1739 | 1935 | 1081 | 2125 |
| T1-C-201SRO6 | 1159 | 397 | 430 | | | | 717 | 309 | 385 | 1004 | 486 | 772 | 1292 | 662 | 1159 | 1577 | 838 | 1545 | 1863 | 1015 | 1931 |
| T1-C-251SRO4 | 968 | 332 | 359 | 1001 | 505 | 865 | 1456 | 785 | 1477 | 1910 | 1064 | 2088 | 2363 | 1343 | 2700 | 2814 | 1622 | 3309 | 3267 | 1901 | 3920 |
| T1-C-251SRO5 | 1159 | 397 | 430 | 929 | 439 | 671 | 1384 | 719 | 1283 | 1838 | 998 | 1894 | 2291 | 1277 | 2506 | 2742 | 1556 | 3115 | 3195 | 1835 | 3726 |
| T1-C-251SRO6 | 1833 | 628 | 680 | | | | 1134 | 488 | 610 | 1588 | 767 | 1221 | 2041 | 1046 | 1833 | 2492 | 1325 | 2442 | 2945 | 1604 | 3053 |
| T2-C-251SRO4 | 1528 | 524 | 569 | 1133 | 525 | 767 | 1700 | 874 | 1531 | 2267 | 1224 | 2296 | 2835 | 1573 | 3061 | 3403 | 1923 | 3826 | 3970 | 2273 | 4591 |
| T2-C-251SRO5 | 1911 | 655 | 709 | 993 | 394 | 384 | 1560 | 743 | 1148 | 2127 | 1093 | 1913 | 2695 | 1442 | 2678 | 3263 | 1792 | 3443 | 3830 | 2142 | 4208 |
| T2-C-251SRO6 | 2293 | 786 | 851 | 851 | 263 | 2 | 1418 | 612 | 766 | 1985 | 962 | 1531 | 2553 | 1311 | 2296 | 3121 | 1661 | 3061 | 3688 | 2011 | 3826 |
| T2-C-301SRO4 | 1911 | 655 | 709 | 1757 | 865 | 1414 | 2579 | 1371 | 2521 | 3401 | 1877 | 3630 | 4223 | 2384 | 4738 | 5045 | 2891 | 5846 | 5867 | 3397 | 6955 |
| T2-C-301SRO5 | 2293 | 786 | 851 | 1615 | 734 | 1032 | 2437 | 1240 | 2139 | 3259 | 1746 | 3248 | 4081 | 2253 | 4356 | 4903 | 2760 | 5464 | 5725 | 3266 | 6573 |
| T2-C-301SRO6 | 3323 | 1139 | 1233 | 1233 | 381 | 2 | 2055 | 887 | 1109 | 2877 | 1393 | 2218 | 3699 | 1900 | 3326 | 4521 | 2407 | 4434 | 5343 | 2913 | 5543 |
| T3-C-301SRO4 | 2194 | 751 | 814 | 1628 | 750 | 1093 | 2442 | 2188 | 2188 | 3256 | 1750 | 3284 | 4070 | 2250 | 4380 | 4885 | 2751 | 5476 | 5699 | 3251 | 6571 |
| T3-C-301SRO5 | 2744 | 939 | 1018 | 1424 | 562 | 543 | 2238 | 1638 | 1638 | 3052 | 1562 | 2734 | 3866 | 2062 | 3830 | 4681 | 2563 | 4926 | 5495 | 3063 | 6021 |
| T3-C-301SRO6 | 3291 | 1126 | 1221 | | | | 2035 | 1091 | 1091 | 2849 | 1375 | 2187 | 3663 | 1875 | 3283 | 4478 | 2376 | 4379 | 5292 | 2876 | 5474 |
| T3-C-351SRO4 | 2744 | 939 | 1018 | 2327 | 1116 | 1757 | 3441 | 3257 | 3257 | 4556 | 2486 | 4758 | 5671 | 3171 | 6258 | 6786 | 3857 | 7759 | 7901 | 4542 | 9260 |
| T3-C-351SRO5 | 3291 | 1126 | 1221 | 2124 | 929 | 1210 | 3238 | 2710 | 2710 | 4353 | 2299 | 4211 | 5468 | 2984 | 5711 | 6583 | 3670 | 7212 | 7698 | 4355 | 8713 |
| T3-C-351SRO6 | 4506 | 1542 | 1672 | | | | 2787 | 1495 | 1495 | 3902 | 1883 | 2996 | 5017 | 2568 | 4496 | 6132 | 3254 | 5997 | 7247 | 3939 | 7498 |
| T3-C-401SRO4 | 3291 | 1126 | 1221 | 3165 | 1569 | 2611 | 4626 | 4578 | 4578 | 6088 | 3365 | 6546 | 7550 | 4264 | 8513 | 9012 | 5163 | 10481 | 10474 | 6061 | 12449 |
| T3-C-401SRO5 | 4506 | 1542 | 1672 | 2714 | 1153 | 1396 | 4175 | 3363 | 3363 | 5637 | 2949 | 5331 | 7099 | 3848 | 7298 | 8561 | 4747 | 9266 | 10023 | 5645 | 11234 |
| T3-C-401SRO6 | 5910 | 2023 | 2193 | | | | 3654 | 1959 | 1959 | 5116 | 2468 | 3927 | 6578 | 3367 | 5894 | 8040 | 4266 | 7862 | 9502 | 5164 | 9830 |
| T4-C-401SRO4 | 5498 | 1884 | 2040 | 4060 | 1872 | 2723 | 6121 | 3140 | 5500 | 8161 | 4396 | 8249 | 10201 | 5652 | 10999 | 12194 | 6879 | 13684 | 14228 | 8131 | 16424 |
| T4-C-401SRO5 | 6872 | 2354 | 2550 | 3550 | 1402 | 1349 | 5611 | 2670 | 4126 | 7651 | 3926 | 6875 | 9691 | 5182 | 9625 | 11684 | 6409 | 12310 | 13718 | 7661 | 15050 |
| T4-C-401SRO6 | 8247 | 2825 | 3060 | | | | 5101 | 2199 | 2751 | 7141 | 3455 | 5500 | 9181 | 4711 | 8250 | 11174 | 5938 | 10935 | 13208 | 7190 | 13675 |
| T4-C-451SRO4 | 6872 | 2354 | 2550 | 5202 | 2418 | 3575 | 7813 | 4026 | 7093 | 10404 | 5621 | 10585 | 12995 | 7216 | 14076 | 15538 | 8782 | 17503 | 18122 | 10372 | 20986 |
| T4-C-451SRO5 | 8247 | 2825 | 3060 | 4692 | 1947 | 2200 | 7303 | 3555 | 5718 | 9894 | 5150 | 9210 | 12485 | 6745 | 12701 | 15028 | 8311 | 16128 | 17612 | 9901 | 19611 |
| T4-C-451SRO6 | 10473 | 3588 | 3886 | | | | 6477 | 2792 | 3492 | 9068 | 4387 | 6984 | 11659 | 5982 | 10475 | 14202 | 7548 | 13902 | 16786 | 9138 | 17385 |
| T4-C-501SRO4 | 8247 | 2825 | 3060 | 7081 | 3112 | 3830 | 9764 | 5070 | 9035 | 12970 | 7044 | 13356 | 16177 | 9018 | 17676 | 20601 | 11028 | 19932 | 23982 | 13007 | 23957 |
| T4-C-501SRO5 | 10473 | 3588 | 3886 | 6255 | 2349 | 1604 | 8938 | 4307 | 6809 | 12144 | 6281 | 11130 | 15351 | 8255 | 15450 | 19775 | 10265 | 17706 | 23156 | 12244 | 21731 |
| T4-C-501SRO6 | 12960 | 4440 | 4809 | | | | 8015 | 3455 | 4322 | 11221 | 5429 | 8643 | 14428 | 7403 | 12963 | 18852 | 9413 | 15219 | 22233 | 11392 | 19244 |

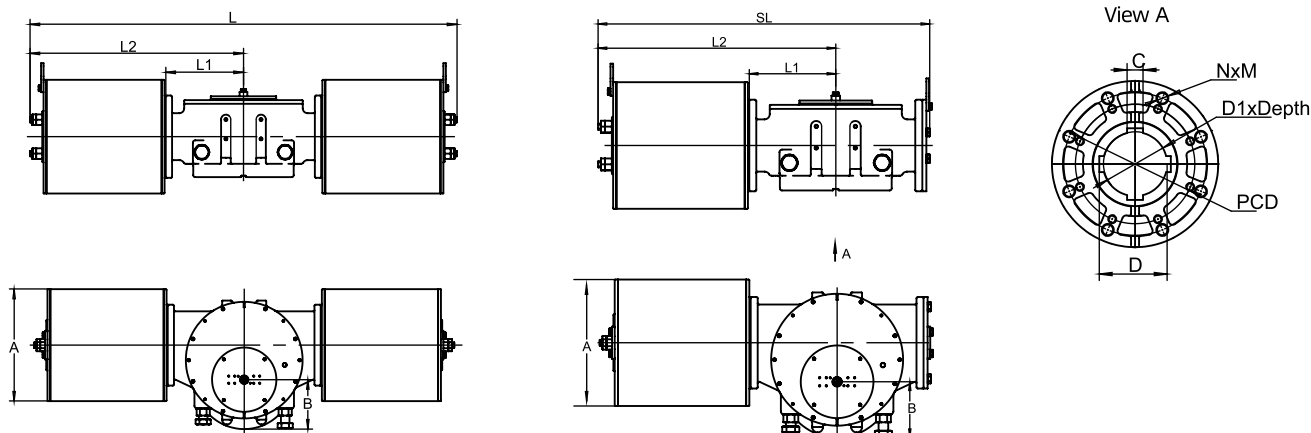
Note: 1. "FC" stands for "power source lost, closed", and "FO" stands for "power source lost, open".
 2. The standard operating pressure is 4 bar to 6 bar. For pressures below 4 bar or above 6 bar, please contact the sales department of Stard Automation.

FO Canted Spring-Return Actuator Torque Data (Nm)

| Model | Spring Output Torque (Nm) | | | Operating Pressure (Bar) | | | | | | | | | | | | | | | | | | |
|---------------|---------------------------|-------|-------|-----------------------------|-------|-------|-------|--------|-------|--------|-------|--------|--------|--------|--------|--------|--------|--------|--------|---------|--------|--------|
| | | | | 3bar | | | 4bar | | | 5bar | | | 6bar | | | 7bar | | | 8bar | | | |
| | 0° | 45° | 90° | Pressure Torque Output (Nm) | | | | | | | | | | | | | | | | | | |
| | | | 90° | 45° | 0° | 90° | 45° | 0° | 90° | 45° | 0° | 90° | 45° | 0° | 90° | 45° | 0° | 90° | 45° | 0° | | |
| T5-C-451SRO4 | 9570 | 3277 | 3551 | 7101 | 3280 | 4793 | 10652 | 5466 | 9580 | 14203 | 7652 | 14368 | 17754 | 9837 | 19156 | 21305 | 12023 | 23943 | 24856 | 14209 | 28731 | |
| T5-C-451SRO5 | 11963 | 4096 | 4439 | | | | 9764 | 4647 | 7187 | 13315 | 6833 | 11975 | 16866 | 9018 | 16763 | 20417 | 11204 | 21550 | 23968 | 13390 | 26338 | |
| T5-C-451SRO6 | 14354 | 4915 | 5326 | | | | 8877 | 3828 | 4796 | 12428 | 6014 | 9584 | 15979 | 8199 | 14372 | 19530 | 10385 | 19159 | 23081 | 12571 | 23947 | |
| T5-C-501SRO4 | 11963 | 4096 | 4439 | 8757 | 4027 | 5830 | 13156 | 6735 | 11761 | 17555 | 9443 | 17692 | 21954 | 12150 | 23623 | 26353 | 14858 | 29554 | 30751 | 17566 | 35485 | |
| T5-C-501SRO5 | 14354 | 4915 | 5326 | | | | 12269 | 5916 | 9370 | 16668 | 8624 | 15301 | 21067 | 11331 | 21232 | 25466 | 14039 | 27163 | 29864 | 16747 | 33094 | |
| T5-C-501SRO6 | 17782 | 6089 | 6598 | | | | 10997 | 4742 | 5942 | 15396 | 7450 | 11873 | 19795 | 10157 | 17804 | 24194 | 12865 | 23735 | 28592 | 15573 | 29666 | |
| T5-C-551SRO4 | 14354 | 4915 | 5326 | 11588 | 4986 | 5799 | 16018 | 8224 | 14425 | 21354 | 11508 | 21619 | 26690 | 14793 | 28814 | 34139 | 18188 | 32670 | 39777 | 21488 | 39388 | |
| T5-C-551SRO5 | 17782 | 6089 | 6598 | | | | 14746 | 7050 | 10997 | 20082 | 10334 | 18191 | 25418 | 13619 | 25386 | 32867 | 17014 | 29242 | 38505 | 20314 | 35960 | |
| T5-C-551SRO6 | 21571 | 7387 | 8004 | | | | 13340 | 5752 | 7208 | 18676 | 9036 | 14402 | 24012 | 12321 | 21597 | 31461 | 15716 | 25453 | 37099 | 19016 | 32171 | |
| T5-C-601SRO4 | 17782 | 6089 | 6598 | 13569 | 5717 | 6248 | 18852 | 9577 | 16533 | 25215 | 13494 | 25112 | 31577 | 17410 | 33690 | 40459 | 21458 | 38288 | 47182 | 25393 | 46298 | |
| T5-C-601SRO5 | 21571 | 7387 | 8004 | | | | 17446 | 8279 | 12744 | 23809 | 12196 | 21323 | 30171 | 16112 | 29901 | 39053 | 20160 | 34499 | 45776 | 24095 | 42509 | |
| T5-C-601SRO6 | 25721 | 8808 | 9544 | | | | 15906 | 6858 | 8594 | 22269 | 10775 | 17173 | 28631 | 14691 | 25751 | 37513 | 18739 | 30349 | 44236 | 22674 | 38359 | |
| T6-C-601SRO4 | 20684 | 7089 | 7576 | 15351 | 7100 | 10373 | 23026 | 11829 | 20726 | 30702 | 16559 | 31078 | 38377 | 21289 | 41431 | 46053 | 26018 | 51783 | 53728 | 30748 | 62136 | |
| T6-C-601SRO5 | 28244 | 9679 | 10480 | 20960 | | | 20221 | 9239 | 13166 | 27897 | 13969 | 23518 | 35572 | 18699 | 33871 | 43248 | 23428 | 44223 | 50923 | 28158 | 54576 | |
| T6-C-601SRO6 | 35305 | 12099 | 13100 | | | | | | | 25277 | 11549 | 16457 | 32952 | 16279 | 26810 | 40628 | 21008 | 37162 | 48303 | 25738 | 47515 | |
| T6-C-701SRO4 | 28244 | 9679 | 10480 | 20960 | 9694 | 14162 | 31440 | 16152 | 28297 | 41920 | 22610 | 42432 | 52400 | 29068 | 56567 | 62880 | 35526 | 70702 | 73359 | 41983 | 84838 | |
| T6-C-701SRO5 | 35305 | 12099 | 13100 | | | | 28820 | 13732 | 21236 | 39300 | 20190 | 35371 | 49780 | 26648 | 49506 | 60260 | 33106 | 63641 | 70739 | 39563 | 77777 | |
| T6-C-701SRO6 | 46206 | 14519 | 17145 | | | | | | | 35255 | 17770 | 24470 | 45735 | 24228 | 38605 | 56215 | 30686 | 52740 | 66694 | 37143 | 66876 | |
| T6-C-801SRO4 | 35305 | 12099 | 13100 | 28048 | 13257 | 20195 | 41764 | 21709 | 38695 | 55480 | 30160 | 57195 | 69196 | 38612 | 75695 | 82912 | 47064 | 94195 | 96628 | 55516 | 112695 | |
| T6-C-801SRO5 | 46206 | 14519 | 17145 | | | | 37719 | 19289 | 27794 | 51435 | 27740 | 46294 | 65151 | 36192 | 64794 | 78867 | 44644 | 83294 | 92583 | 53096 | 101794 | |
| T6-C-801SRO6 | 55447 | 19002 | 20574 | | | | | | | 48006 | 23257 | 37053 | 61722 | 31709 | 55553 | 75438 | 40161 | 74053 | 89154 | 48613 | 92553 | |
| T7-C-701SRO4 | 33016 | 11314 | 12251 | 24502 | 11335 | 16569 | 36753 | 18885 | 33097 | 49004 | 26434 | 49625 | 61255 | 33984 | 66153 | 73506 | 41534 | 82681 | 85757 | 49083 | 99209 | |
| T7-C-701SRO5 | 43225 | 14812 | 16039 | | | | 32965 | 15387 | 22888 | 45216 | 22936 | 39416 | 57467 | 30486 | 55944 | 69718 | 38036 | 72472 | 81969 | 45585 | 89000 | |
| T7-C-701SRO6 | 54032 | 18515 | 20049 | | | | | | | 41206 | 19233 | 28609 | 53457 | 26783 | 45137 | 65708 | 34333 | 61665 | 77959 | 41882 | 78193 | |
| T7-C-801SRO4 | 43225 | 14812 | 16039 | 32078 | 14840 | 21692 | 48118 | 24725 | 43331 | 64157 | 34609 | 64970 | 80196 | 44493 | 86609 | 96235 | 54377 | 108248 | 112274 | 64261 | 129886 | |
| T7-C-801SRO5 | 54032 | 18515 | 20049 | | | | 44108 | 21022 | 32524 | 60147 | 30906 | 54163 | 76186 | 40790 | 75802 | 92225 | 50674 | 97441 | 108264 | 60558 | 119079 | |
| T7-C-801SRO6 | 46206 | 14519 | 17145 | | | | | | | 63051 | 34902 | 52498 | 79090 | 44786 | 83628 | 95129 | 54670 | 105267 | 111168 | 64554 | 126905 | |
| T7-C-901SRO4 | 54032 | 18515 | 20049 | 40948 | 19075 | 28261 | 61281 | 31604 | 55692 | 81613 | 44134 | 83124 | 101945 | 56664 | 110555 | 122278 | 69194 | 137986 | 142610 | 81724 | 165417 | |
| T7-C-901SRO5 | 68493 | 23471 | 25415 | | | | 55915 | 26648 | 41231 | 76247 | 39178 | 68663 | 96579 | 51708 | 96094 | 116912 | 64238 | 123525 | 137244 | 76768 | 150956 | |
| T7-C-901SRO6 | 84658 | 29010 | 31413 | | | | | | | 70249 | 33639 | 52498 | 90581 | 46169 | 79929 | 110914 | 58699 | 107360 | 131246 | 71229 | 134791 | |
| T7-C-1001SRO4 | 68493 | 23471 | 25415 | 49977 | 22990 | 33221 | 75108 | 38476 | 67126 | 100239 | 53963 | 101031 | 125369 | 69450 | 134935 | 150500 | 84937 | 168840 | 175631 | 1100424 | 202745 | |
| T7-C-1001SRO5 | 84658 | 29010 | 31413 | | | | 69110 | 732937 | 50961 | 94241 | 48424 | 84866 | 119371 | 63911 | 118770 | 144502 | 79398 | 152675 | 169633 | 94885 | 186580 | |
| T7-C-1001SRO6 | 101591 | 34813 | 37696 | | | | | | | 6283 | 87958 | 42621 | 67933 | 113088 | 58108 | 101837 | 138219 | 73595 | 135742 | 163350 | 89082 | 169647 |

Note: 1. "FC" stands for "power source lost, closed", and "FO" stands for "power source lost, open".
 2. The standard operating pressure is 4 bar to 6 bar. For pressures below 4 bar or above 6 bar, please contact the sales department of Stard Automation.

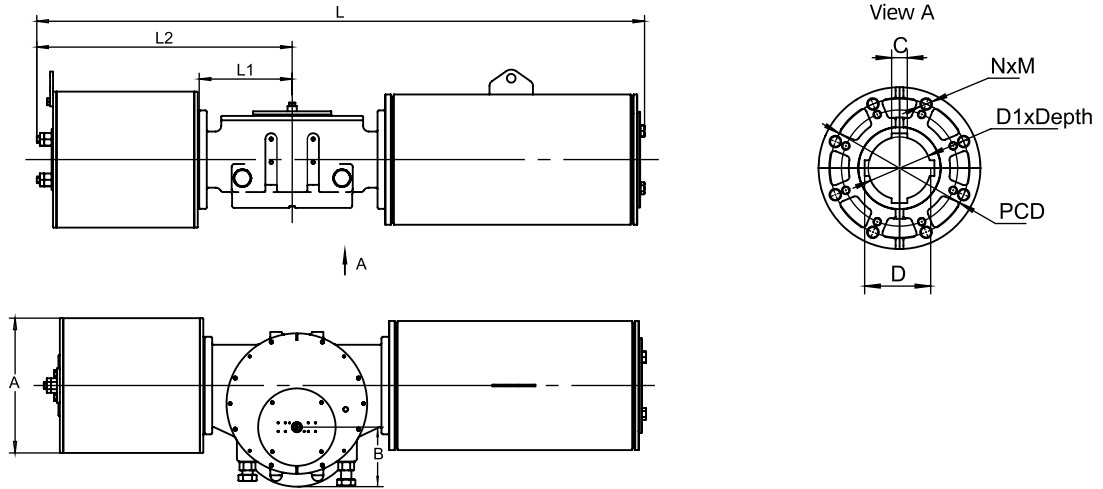
Double-Acting Pneumatic Actuator Dimension Drawing:



| Model | L1 | L2 | SL | L | A | B | C | D | D1 | Flange connection | | Air source interface |
|-------------------|-----|------|------|------|-------|-------|-------|----|----------|-------------------|--------------|----------------------|
| | mm | | | | | | | | | | PCD | |
| SGYP-T1-S/C-201DA | 145 | 445 | 615 | / | φ214 | 87.5 | 51.8 | 14 | φ48x65 | F14 | 4xM16 | NPT 3/8" |
| SGYP-T1-S/C-251DA | 145 | 445 | 615 | / | φ266 | 87.5 | 51.8 | 14 | φ48x65 | F14 | 4xM16 | NPT 3/8" |
| SGYP-T2-S/C-251DA | 175 | 525 | 725 | / | φ266 | 105 | 64.4 | 18 | φ60x90 | F16 | 4xM20 | NPT 3/8" |
| SGYP-T2-S/C-301DA | 175 | 525 | 725 | / | φ320 | 105 | 64.4 | 18 | φ60x90 | F16 | 4xM20 | NPT 1/2" |
| SGYP-T3-S/C-301DA | 212 | 632 | 870 | / | φ320 | 150 | 76.9 | 20 | φ72x110 | F16/F25 | 4xM20/8xM16 | NPT 1/2" |
| SGYP-T3-S/C-351DA | 212 | 632 | 870 | / | φ375 | 150 | 76.9 | 20 | φ72x110 | F16/F25 | 4xM20/8xM16 | NPT 3/4" |
| SGYP-T3-S/C-401DA | 212 | 632 | 870 | / | φ425 | 150 | 76.9 | 20 | φ72x110 | F16/F25 | 4xM20/8xM16 | NPT 3/4" |
| SGYP-T4-S/C-401DA | 275 | 783 | 1087 | / | φ425 | 175 | 106.4 | 28 | φ98x130 | F25/F30 | 8xM16/8xM20 | NPT 3/4" |
| SGYP-T4-S/C-451DA | 275 | 783 | 1087 | / | φ475 | 175 | 106.4 | 28 | φ98x130 | F25/F30 | 8xM16/8xM20 | NPT 1" |
| SGYP-T4-S/C-501DA | 275 | 783 | 1087 | / | φ525 | 175 | 106.4 | 28 | φ98x130 | F25/F30 | 8xM16/8xM20 | NPT 1 1/4" |
| SGYP-T5-S/C-451DA | 325 | 925 | 1282 | / | φ475 | 207.5 | 169.4 | 40 | φ160x220 | F30/F35 | 8xM20/8xM30 | NPT 1" |
| SGYP-T5-S/C-501DA | 325 | 925 | 1282 | / | φ525 | 207.5 | 169.4 | 40 | φ160x220 | F30/F35 | 8xM20/8xM30 | NPT 1 1/4" |
| SGYP-T5-S/C-551DA | 325 | 925 | 1282 | / | φ580 | 207.5 | 169.4 | 40 | φ160x220 | F30/F35 | 8xM20/8xM30 | NPT 1 1/4" |
| SGYP-T5-S/C-601DA | 325 | 925 | 1282 | / | φ635 | 207.5 | 169.4 | 40 | φ160x220 | F30/F35 | 8xM20/8xM30 | NPT 1 1/4" |
| SGYP-T6-S/C-601DA | 400 | 1130 | 1568 | / | φ635 | 237.5 | 190.4 | 45 | φ180x250 | F40 | 8xM36 | NPT 1 1/4" |
| SGYP-T6-S/C-701DA | 400 | 1130 | 1568 | / | φ735 | 237.5 | 190.4 | 45 | φ180x250 | F40 | 8xM36 | NPT 1 1/4" |
| SGYP-T6-S-552DA | 400 | 1130 | / | 2260 | φ580 | 237.5 | 190.4 | 45 | φ180x250 | F40 | 8xM36 | NPT 1 1/4" |
| SGYP-T6-S-801DA | 400 | 1130 | 1568 | / | φ840 | 237.5 | 190.4 | 45 | φ180x250 | F40 | 8xM36 | NPT 1 1/2" |
| SGYP-T7-S/C-701DA | 490 | 1395 | 1928 | / | φ735 | 280 | 231.4 | 50 | φ220x300 | F40/F48 | 8xM36/12xM36 | NPT 1 1/4" |
| SGYP-T7-S/C-801DA | 490 | 1395 | 1928 | / | φ840 | 280 | 231.4 | 50 | φ220x300 | F40/F48 | 8xM36/12xM36 | NPT 1 1/2" |
| SGYP-T7-S/C-602DA | 490 | 1395 | / | 2790 | φ635 | 280 | 231.4 | 50 | φ220x300 | F40/F48 | 8xM36/12xM36 | NPT 1 1/4" |
| SGYP-T7-S/C-901DA | 490 | 1395 | 1928 | / | φ940 | 280 | 231.4 | 50 | φ220x300 | F40/F48 | 8xM36/12xM36 | NPT 1 1/2" |
| SGYP-T7-S-702DA | 490 | 1395 | / | 2790 | φ735 | 280 | 231.4 | 50 | φ220x300 | F40/F48 | 8xM36/12xM36 | NPT 1 1/4" |
| SGYP-T7-S-1001DA | 490 | 1395 | 1928 | / | φ1045 | 280 | 231.4 | 50 | φ220x300 | F40/F48 | 8xM36/12xM36 | NPT 2" |

Note: This dimensional table applies only to standard operating pressures between 4 bar and 6 bar. For pressures below 4 bar or above 6 bar, please contact Stard Automation's sales department.

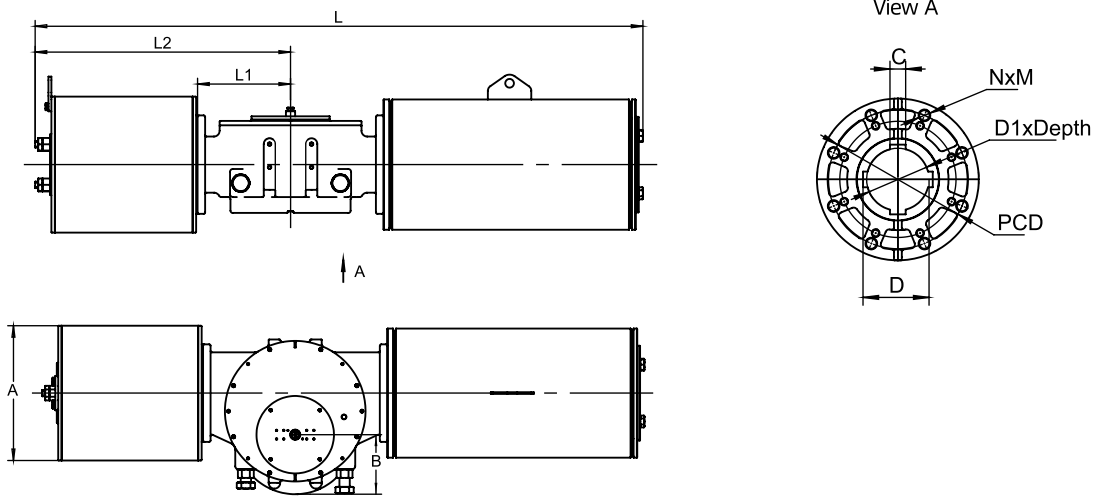
Spring-Return Pneumatic Actuator Dimension Drawing:



| Model | L1 | L2 | L | A | B | C | D | D1 | Flange connection | | Air source interface |
|--------------------|-----|-----|------|------|------|-------|----|---------|-------------------|-------------|----------------------|
| | | | | | | | | | PCD | NxM | |
| mm | | | | | | | | | | | |
| SGYP-T1-S/C-201SR4 | 145 | 445 | 1026 | φ214 | 87.5 | 51.8 | 14 | φ48x65 | F14 | 4xM16 | NPT 3/8" |
| SGYP-T1-S/C-201SR5 | 145 | 445 | 1059 | φ214 | 87.5 | 51.8 | 14 | φ48x65 | F14 | 4xM16 | NPT 3/8" |
| SGYP-T1-S/C-201SR6 | 145 | 445 | 1098 | φ214 | 87.5 | 51.8 | 14 | φ48x65 | F14 | 4xM16 | NPT 3/8" |
| SGYP-T1-S/C-251SR4 | 145 | 445 | 1068 | φ266 | 87.5 | 51.8 | 14 | φ48x65 | F14 | 4xM16 | NPT 3/8" |
| SGYP-T1-S/C-251SR5 | 145 | 445 | 1105 | φ266 | 87.5 | 51.8 | 14 | φ48x65 | F14 | 4xM16 | NPT 3/8" |
| SGYP-T1-S/C-251SR6 | 145 | 445 | 1146 | φ266 | 87.5 | 51.8 | 14 | φ48x65 | F14 | 4xM16 | NPT 3/8" |
| SGYP-T2-S/C-251SR4 | 175 | 445 | 1185 | φ266 | 105 | 64.4 | 18 | φ60x90 | F16 | 4xM20 | NPT 3/8" |
| SGYP-T2-S/C-251SR5 | 175 | 445 | 1217 | φ266 | 105 | 64.4 | 18 | φ60x90 | F16 | 4xM20 | NPT 3/8" |
| SGYP-T2-S/C-251SR6 | 175 | 445 | 1252 | φ266 | 105 | 64.4 | 18 | φ60x90 | F16 | 4xM20 | NPT 3/8" |
| SGYP-T2-S/C-301SR4 | 175 | 525 | 1240 | φ320 | 105 | 64.4 | 18 | φ60x90 | F16 | 4xM20 | NPT 1/2" |
| SGYP-T2-S/C-301SR5 | 175 | 525 | 1276 | φ320 | 105 | 64.4 | 18 | φ60x90 | F16 | 4xM20 | NPT 1/2" |
| SGYP-T2-S/C-301SR6 | 175 | 525 | 1317 | φ320 | 105 | 64.4 | 18 | φ60x90 | F16 | 4xM20 | NPT 1/2" |
| SGYP-T3-S/C-301SR4 | 212 | 525 | 1414 | φ320 | 150 | 76.9 | 20 | φ72x110 | F16/F25 | 4xM20/8xM16 | NPT 1/2" |
| SGYP-T3-S/C-301SR5 | 212 | 525 | 1471 | φ320 | 150 | 76.9 | 20 | φ72x110 | F16/F25 | 4xM20/8xM16 | NPT 1/2" |
| SGYP-T3-S/C-301SR6 | 212 | 525 | 1445 | φ320 | 150 | 76.9 | 20 | φ72x110 | F16/F25 | 4xM20/8xM16 | NPT 1/2" |
| SGYP-T3-S/C-351SR4 | 212 | 632 | 1462 | φ375 | 150 | 76.9 | 20 | φ72x110 | F16/F25 | 4xM20/8xM16 | NPT 3/4" |
| SGYP-T3-S/C-351SR5 | 212 | 632 | 1486 | φ375 | 150 | 76.9 | 20 | φ72x110 | F16/F25 | 4xM20/8xM16 | NPT 3/4" |
| SGYP-T3-S/C-351SR6 | 212 | 632 | 1548 | φ375 | 150 | 76.9 | 20 | φ72x110 | F16/F25 | 4xM20/8xM16 | NPT 3/4" |
| SGYP-T3-S/C-401SR4 | 212 | 632 | 1497 | φ425 | 150 | 76.9 | 20 | φ72x110 | F16/F25 | 4xM20/8xM16 | NPT 3/4" |
| SGYP-T3-S/C-401SR5 | 212 | 632 | 1571 | φ425 | 150 | 76.9 | 20 | φ72x110 | F16/F25 | 4xM20/8xM16 | NPT 3/4" |
| SGYP-T3-S/C-401SR6 | 212 | 632 | 1577 | φ425 | 150 | 76.9 | 20 | φ72x110 | F16/F25 | 4xM20/8xM16 | NPT 3/4" |
| SGYP-T4-S/C-401SR4 | 275 | 632 | 1810 | φ425 | 175 | 106.4 | 28 | φ98x130 | F25/F30 | 8xM16/8xM20 | NPT 3/4" |
| SGYP-T4-S/C-401SR5 | 275 | 632 | 1846 | φ425 | 175 | 106.4 | 28 | φ98x130 | F25/F30 | 8xM16/8xM20 | NPT 3/4" |
| SGYP-T4-S/C-401SR6 | 275 | 632 | 1904 | φ425 | 175 | 106.4 | 28 | φ98x130 | F25/F30 | 8xM16/8xM20 | NPT 3/4" |
| SGYP-T4-S/C-451SR4 | 275 | 783 | 1841 | φ475 | 175 | 106.4 | 28 | φ98x130 | F25/F30 | 8xM16/8xM20 | NPT 1" |
| SGYP-T4-S/C-451SR5 | 275 | 783 | 1904 | φ475 | 175 | 106.4 | 28 | φ98x130 | F25/F30 | 8xM16/8xM20 | NPT 1" |
| SGYP-T4-S/C-451SR6 | 275 | 783 | 1928 | φ475 | 175 | 106.4 | 28 | φ98x130 | F25/F30 | 8xM16/8xM20 | NPT 1" |
| SGYP-T4-S/C-501SR4 | 275 | 783 | 1894 | φ525 | 175 | 106.4 | 28 | φ98x130 | F25/F30 | 8xM16/8xM20 | NPT 1 1/4" |
| SGYP-T4-S/C-501SR5 | 275 | 783 | 1919 | φ525 | 175 | 106.4 | 28 | φ98x130 | F25/F30 | 8xM16/8xM20 | NPT 1 1/4" |
| SGYP-T4-S/C-501SR6 | 275 | 783 | 1941 | φ525 | 175 | 106.4 | 28 | φ98x130 | F25/F30 | 8xM16/8xM20 | NPT 1 1/4" |

Note: This dimensional table applies only to standard operating pressures between 4 bar and 6 bar. For pressures below 4 bar or above 6 bar, please contact Stard Automation's sales department.

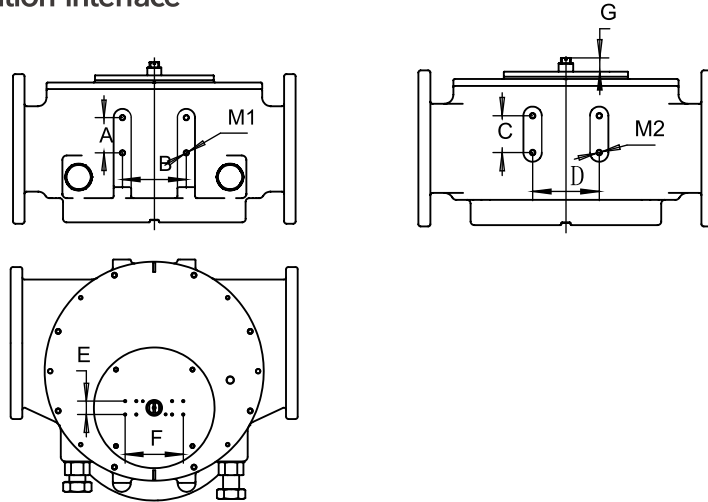
Spring-Return Pneumatic Actuator Dimension Drawing:



| Model | L1 | L2 | L | A | B | C | D | D1 | Flange connection | | Air source interface |
|---------------------|-----|------|------|-------|-------|-------|----|----------|-------------------|--------------|----------------------|
| | mm | | | | | | | | | PCD | |
| SGYP-T5-S/C-451SR4 | 325 | 925 | 2125 | φ475 | 207.5 | 169.4 | 40 | φ160x220 | F30/F35 | 8xM20/8xM30 | NPT 1" |
| SGYP-T5-S/C-451SR5 | 325 | 925 | 2226 | φ475 | 207.5 | 169.4 | 40 | φ160x220 | F30/F35 | 8xM20/8xM30 | NPT 1" |
| SGYP-T5-S/C-451SR6 | 325 | 925 | 2273 | φ475 | 207.5 | 169.4 | 40 | φ160x220 | F30/F35 | 8xM20/8xM30 | NPT 1" |
| SGYP-T5-S/C-501SR4 | 325 | 925 | 2226 | φ525 | 207.5 | 169.4 | 40 | φ160x220 | F30/F35 | 8xM20/8xM30 | NPT 1 1/4" |
| SGYP-T5-S/C-501SR5 | 325 | 925 | 2273 | φ525 | 207.5 | 169.4 | 40 | φ160x220 | F30/F35 | 8xM20/8xM30 | NPT 1 1/4" |
| SGYP-T5-S/C-501SR6 | 325 | 925 | 2326 | φ525 | 207.5 | 169.4 | 40 | φ160x220 | F30/F35 | 8xM20/8xM30 | NPT 1 1/4" |
| SGYP-T5-S/C-551SR4 | 325 | 925 | 2280 | φ580 | 207.5 | 169.4 | 40 | φ160x220 | F30/F35 | 8xM20/8xM30 | NPT 1 1/4" |
| SGYP-T5-S/C-551SR5 | 325 | 925 | 2318 | φ580 | 207.5 | 169.4 | 40 | φ160x220 | F30/F35 | 8xM20/8xM30 | NPT 1 1/4" |
| SGYP-T5-S/C-551SR6 | 325 | 925 | 2397 | φ580 | 207.5 | 169.4 | 40 | φ160x220 | F30/F35 | 8xM20/8xM30 | NPT 1 1/4" |
| SGYP-T5-S/C-601SR4 | 325 | 925 | 2387 | φ635 | 207.5 | 169.4 | 40 | φ160x220 | F30/F35 | 8xM20/8xM30 | NPT 1 1/4" |
| SGYP-T5-S/C-601SR5 | 325 | 925 | 2452 | φ635 | 207.5 | 169.4 | 40 | φ160x220 | F30/F35 | 8xM20/8xM30 | NPT 1 1/4" |
| SGYP-T5-S/C-601SR6 | 325 | 925 | 2514 | φ635 | 207.5 | 169.4 | 40 | φ160x220 | F30/F35 | 8xM20/8xM30 | NPT 1 1/4" |
| SGYP-T6-S/C-601SR4 | 400 | 1130 | 2465 | φ635 | 237.5 | 190.4 | 45 | φ180x250 | F40 | 8xM36 | NPT 1 1/4" |
| SGYP-T6-S/C-601SR5 | 400 | 1130 | 2506 | φ635 | 237.5 | 190.4 | 45 | φ180x250 | F40 | 8xM36 | NPT 1 1/4" |
| SGYP-T6-S/C-601SR6 | 400 | 1130 | 2610 | φ635 | 237.5 | 190.4 | 45 | φ180x250 | F40 | 8xM36 | NPT 1 1/4" |
| SGYP-T6-S/C-701SR4 | 400 | 1130 | 2578 | φ735 | 237.5 | 190.4 | 45 | φ180x250 | F40 | 8xM36 | NPT 1 1/4" |
| SGYP-T6-S/C-701SR5 | 400 | 1130 | 2653 | φ735 | 237.5 | 190.4 | 45 | φ180x250 | F40 | 8xM36 | NPT 1 1/4" |
| SGYP-T6-S/C-701SR6 | 400 | 1130 | 2725 | φ735 | 237.5 | 190.4 | 45 | φ180x250 | F40 | 8xM36 | NPT 1 1/4" |
| SGYP-T6-S/C-801SR4 | 400 | 1130 | 2743 | φ840 | 237.5 | 190.4 | 45 | φ180x250 | F40 | 8xM36 | NPT 1 1/2" |
| SGYP-T6-S/C-801SR5 | 400 | 1130 | 2835 | φ840 | 237.5 | 190.4 | 45 | φ180x250 | F40 | 8xM36 | NPT 1 1/2" |
| SGYP-T6-S/C-801SR6 | 400 | 1130 | 2940 | φ840 | 237.5 | 190.4 | 45 | φ180x250 | F40 | 8xM36 | NPT 1 1/2" |
| SGYP-T7-S/C-701SR4 | 490 | 1395 | 3405 | φ735 | 280 | 231.4 | 50 | φ220x300 | F40/F48 | 8xM36/12xM36 | NPT 1 1/2" |
| SGYP-T7-S/C-701SR5 | 490 | 1395 | 3515 | φ735 | 280 | 231.4 | 50 | φ220x300 | F40/F48 | 8xM36/12xM36 | NPT 1 1/2" |
| SGYP-T7-S/C-701SR6 | 490 | 1395 | 3578 | φ735 | 280 | 231.4 | 50 | φ220x300 | F40/F48 | 8xM36/12xM36 | NPT 1 1/2" |
| SGYP-T7-S/C-801SR4 | 490 | 1395 | 3515 | φ840 | 280 | 231.4 | 50 | φ220x300 | F40/F48 | 8xM36/12xM36 | NPT 1 1/2" |
| SGYP-T7-S/C-801SR5 | 490 | 1395 | 3578 | φ840 | 280 | 231.4 | 50 | φ220x300 | F40/F48 | 8xM36/12xM36 | NPT 1 1/2" |
| SGYP-T7-S/C-801SR6 | 490 | 1395 | 3668 | φ840 | 280 | 231.4 | 50 | φ220x300 | F40/F48 | 8xM36/12xM36 | NPT 1 1/2" |
| SGYP-T7-S/C-901SR4 | 490 | 1395 | 3650 | φ940 | 280 | 231.4 | 50 | φ220x300 | F40/F48 | 8xM36/12xM36 | NPT 1 1/2" |
| SGYP-T7-S/C-901SR5 | 490 | 1395 | 3745 | φ940 | 280 | 231.4 | 50 | φ220x300 | F40/F48 | 8xM36/12xM36 | NPT 1 1/2" |
| SGYP-T7-S/C-901SR6 | 490 | 1395 | 3836 | φ940 | 280 | 231.4 | 50 | φ220x300 | F40/F48 | 8xM36/12xM36 | NPT 1 1/2" |
| SGYP-T7-S/C-1001SR4 | 490 | 1395 | 3854 | φ1045 | 280 | 231.4 | 50 | φ220x300 | F40/F48 | 8xM36/12xM36 | NPT 2" |
| SGYP-T7-S/C-1001SR5 | 490 | 1395 | 3962 | φ1045 | 280 | 231.4 | 50 | φ220x300 | F40/F48 | 8xM36/12xM36 | NPT 2" |
| SGYP-T7-S/C-1001SR6 | 490 | 1395 | 4036 | φ1045 | 280 | 231.4 | 50 | φ220x300 | F40/F48 | 8xM36/12xM36 | NPT 2" |

Note: This dimensional table applies only to standard operating pressures between 4 bar and 6 bar. For pressures below 4 bar or above 6 bar, please contact Stard Automation's sales department.

Drive module installation interface



| Box Body Model | AxB | Threaded hole M1 | CxD | Threaded hole M2 | ExF | G | H |
|----------------|---------|------------------|---------|------------------|--------------|-------------|----|
| | mm | | | | | | |
| SGYP-T1-S/C | 50x60 | 4-M8 depth12 | 60x60 | 4-M8 depth12 | 30x80 | 4-M5 depth8 | 30 |
| SGYP-T2-S/C | 50x80 | 4-M8 depth12 | 80x80 | 4-M8 depth12 | 30x80 | 4-M5 depth8 | 30 |
| SGYP-T3-S/C | 80x80 | 4-M8 depth12 | 80x80 | 4-M8 depth12 | 30x80 | 4-M5 depth8 | 30 |
| SGYP-T4-S/C | 100x100 | 4-M12 depth18 | 100x100 | 4-M12 depth18 | 30x80/30x130 | 4-M5 depth8 | 30 |
| SGYP-T5-S/C | 80x145 | 4-M12 depth18 | 80x145 | 4-M12 depth18 | 30x130 | 4-M5 depth8 | 30 |
| SGYP-T6-S/C | 80x210 | 4-M12 depth18 | 120x145 | 4-M12 depth18 | 30x130 | 4-M5 depth8 | 30 |
| SGYP-T7-S/C | 80x210 | 4-M12 depth18 | 120x145 | 4-M12 depth18 | 30x130 | 4-M5 depth8 | 30 |

Manual mechanism configuration selection

| Model | Double-Acting(DA) | | | | Spring-Return (SR) | | | | Connecting Flange |
|---------|----------------------------------|-------------------------------|--------------------------------|-----------------|----------------------------------|-------------------------------|--------------------------------|-----------------|--------------------------------|
| | Jack Screw Manual Override (MSD) | Gearbox Manual Override (MGD) | Worm gear Manual Override (MW) | Hydraulic (MHD) | Jack Screw Manual Override (MSD) | Gearbox Manual Override (MGD) | Worm gear Manual Override (MW) | Hydraulic (MHD) | |
| SGYP-T0 | ✓ | - | ✓ | - | ✓ | - | ✓ | - | F10/F12 500/1000 |
| SGYP-T1 | ✓ | ✓ | ✓ | - | ✓ | ✓ | ✓ | - | F14 2000 |
| SGYP-T2 | ✓ | ✓ | ✓ | ✓ | ✓ | ✓ | ✓ | ✓ | F16 2000 |
| SGYP-T3 | - | ✓ | ✓ | ✓ | - | ✓ | ✓ | ✓ | F16/F25 4000/8000 |
| SGYP-T4 | - | ✓ | ✓ | ✓ | - | ✓ | ✓ | ✓ | F16/F25/F30 4000/8000/16000 |
| SGYP-T5 | - | ✓ | ✓ / — | ✓ | - | ✓ | ✓ | ✓ | F30/F35 16000/32000 |
| SGYP-T6 | - | ✓ | - | ✓ | - | ✓ | ✓ | ✓ | F40 63000 |
| SGYP-T7 | - | ✓ | - | ✓ | - | ✓ | ✓ | ✓ | F40/F48 63000/125000 |

Model Designation

| | | | | | | | | | |
|---------|------|----|---|-----|-----|---|----|----|---|
| Example | SGYP | T3 | S | 351 | SRC | 4 | MG | LT | SGYP series, 350mm cylinder diameter, single cylinder, spring return action, the air supply failure valve is closed, compressed air pressure 4 Bar, with MG gears manual under low temperature. |
| Series | SGYP | | | | | | | | YP Series Scotch Yoke Actuator |

Box Size

T3

The box size can be selected from T0 to T7

| | | | | | | | | |
|------------------|---|--|--|--|--|--|--|-----------|
| Scotch Yoke Type | S | | | | | | | Symmetric |
| | C | | | | | | | Canted |

| | | | | | | | | |
|--------------------------|-----|--|--|--|--|--|--|--|
| Cylinder Size And Number | 351 | | | | | | | Stard The Technician Selects According To Valve Torque |
|--------------------------|-----|--|--|--|--|--|--|--|

| | | | | | | | | |
|--------------|-----|--|--|--|--|--|--|-----------------------------|
| Working Form | DA | | | | | | | Double Acting |
| | SRC | | | | | | | Failure Close Spring Return |
| | SRO | | | | | | | Failure Open Spring Return |

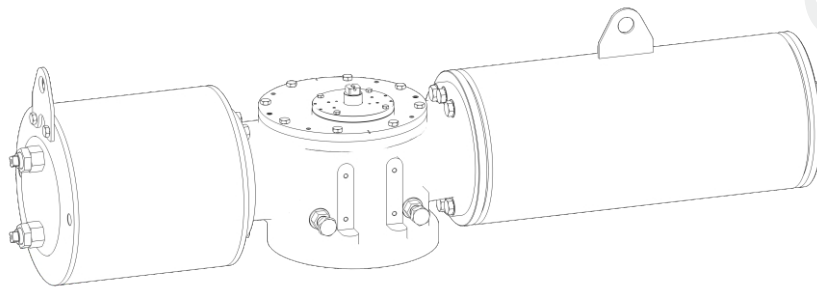
| | | | | | | | | |
|--------------|-------|--|--|--|--|--|--|----------------|
| Air Pressure | 4\5\6 | | | | | | | 4Bar\5Bar\6Bar |
|--------------|-------|--|--|--|--|--|--|----------------|

| | | | | | | | | |
|-------------------------------|--------|--|--|--|--|--|--|---|
| Manual Override Configuration | MSD\MS | | | | | | | Jack Screw Manual Override of Double-acting Single-acting (T0~T2 available) |
| | MGD\MG | | | | | | | Gearbox Manual Override of Double-acting Single-acting |
| | MW | | | | | | | Worm gear Manual Override - gear clutch |
| | MHD\MH | | | | | | | Hydraulic Manual (With Hydraulic Cylinder) |

| | | | | | | | | |
|-------------------|-----|--|--|--|--|--|--|-------------------------|
| Temperature Range | - | | | | | | | Standard Temperature |
| | HT | | | | | | | High Temperature |
| | LT | | | | | | | Low Temperature |
| | ULT | | | | | | | Ultra - low Temperature |

FOCUS ON VALVE CONTROL TECHNOLOGY

MODULAR DESIGN, HIGH CYCLE LIFE, HIGH RELIABILITY.



stard-
gears®

SUZHOU SIP STARD AUTOMATION CO.,LTD.

Add: 16 Xiangpu Road, Suzhou Industrial Park, Suzhou, Jiangsu Province, China

Post code: 215126

Tel: (86)512-88165518

Fax: (86)512-88165522

E-mail: Bennychang@stard-gears.com Billysi@stard-gears.com



www.stard-gears.com