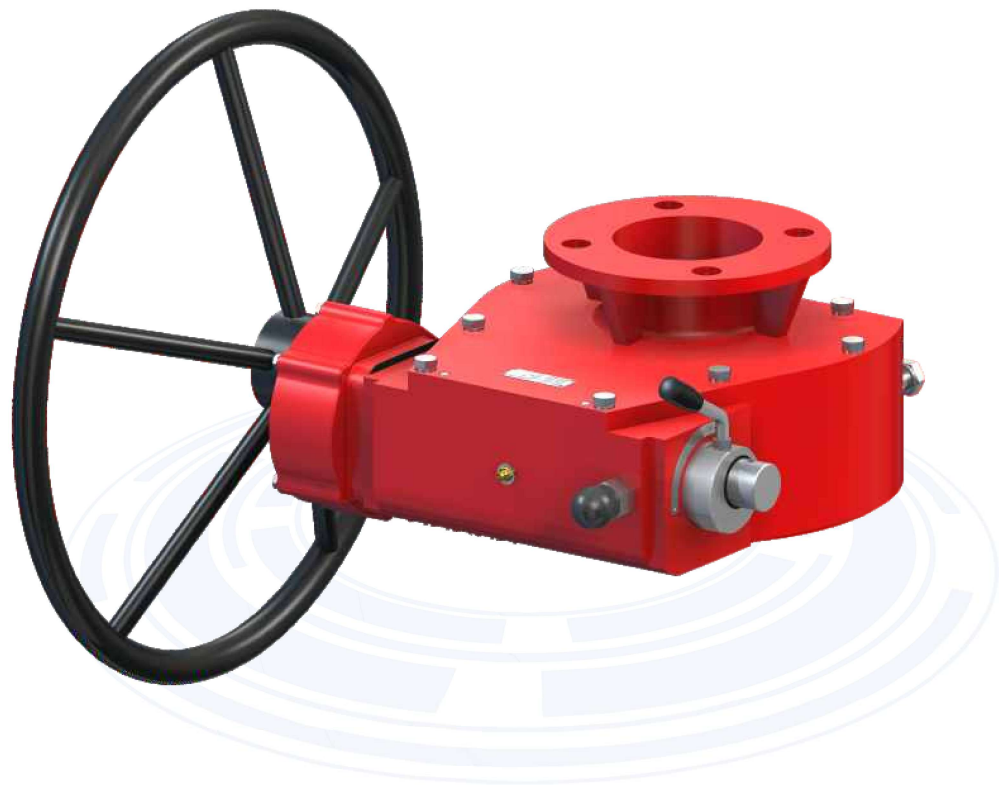

Suitable for spring-return or double-acting pneumatic actuators to drive part-turn valves such as ball valves, butterfly valves, plug valves, etc.

Torque range: 300Nm~22000Nm

8 sizes. Ratios from: 26:1 to 520:1

SLJ Series

Dec clutchable Gear Operator



Features:

Aluminium alloy or WCB housing

Ductile iron quadrant

IP65

Travel range: 0°~90° (±5° adjustment)

Standard temperature range: -20°C~120°C

Options:

LCB housing

Stainless steel housing

Stainless steel input shafts and fasteners

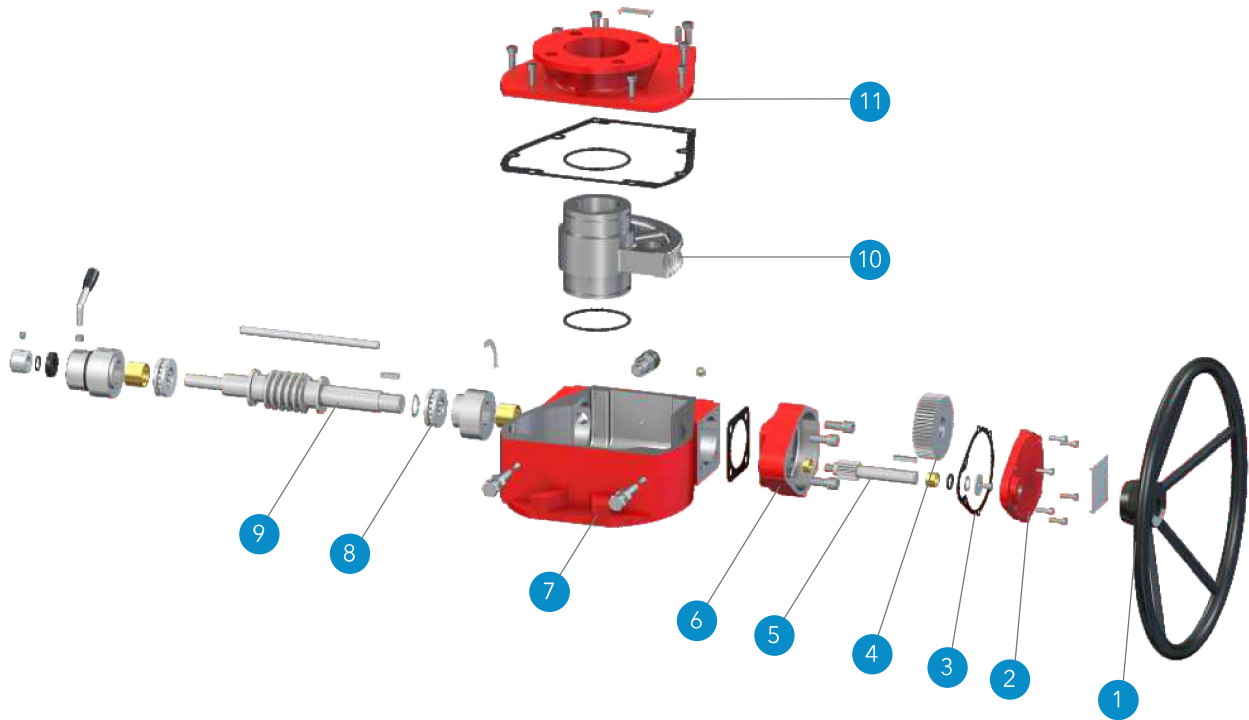
IP67

Low temperature: -46°C

High temperature: +200°C

Bronze quadrant

Marine and offshore platforms



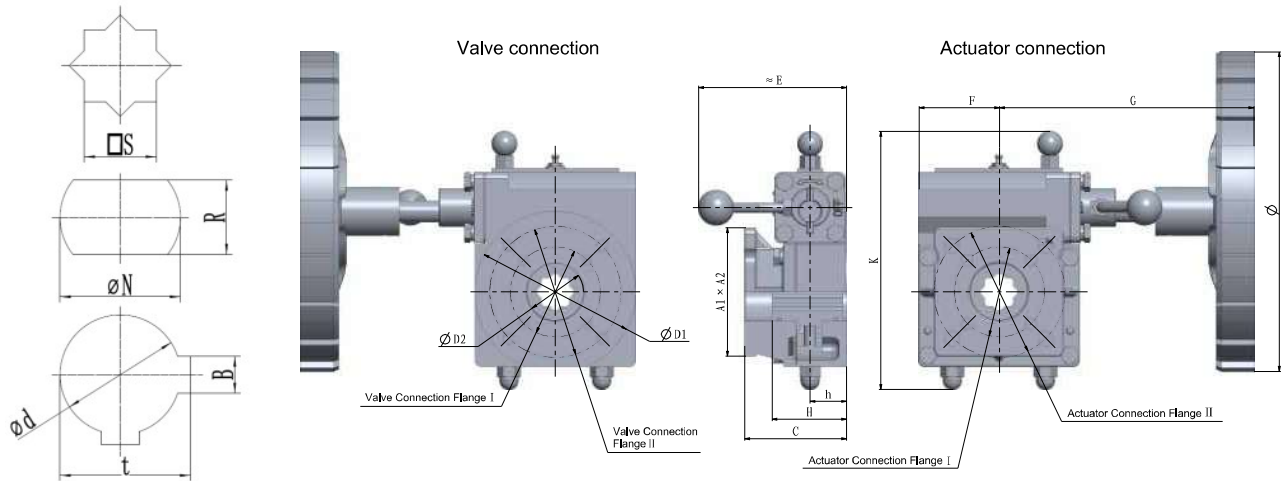
Material Specification

No.	Part name	Material				
		GB	ASTM/AWS	DIN	BS	ISO
1	Hand wheel	Q235A	A570 Gr.A	S235JR	S235JR	Fe 360A
2	Secondary coverplate	ZG280-520	WCB	GS-20Mn5	GP280GH	C26-52
3	Seal			NBR		
4	Gear	45	1045	C45E CK45	C45E 080M46	C45E4
5	Input shaft	45	1045	C45E CK45	C45E 080M46	C45E4
6	Secondary body	ZG280-520	WCB	GS-20Mn5	GP280GH	C26-52
7	Body	YL113	A384			
		ZG280-520	WCB	GS-20Mn5	GP280GH	C26-52
8	Bearing	Needle bearing / Thrust Ball Bearing				
9	Worm	45	1045	C45E CK45	C45E 080M46	C45E4
10	Quadrant	QT500-7	88-55-06	GGG-50	500/7	500-7
11	Top bracket	YL113	A384			
		ZG280-520	WCB	GS-20Mn5	GP280GH	C26-52

The body of the SLJ26, SLJ38 and SLJ54 can be made of aluminium alloy or WCB.
 SLJ80, SLJ78, SLJ270, SLJ320, SLJ520 are default body made of WCB, if you need other materials please contact Stard-Gears.
 Note: Due to the company's policy of continuous improvement, Stard-Gears reserves the right to change specification details without prior notice.

Main Technical Specifications

Model	Ratio	Input Torque (Nm)	Output Torque (Nm)	Efficiency(%)	M.A.(±10%)	ΦHW
SLJ26	26:1	50	300	23	6.0	Φ200
SLJ38	38:1	65	550	22	8.5	Φ200
	38:1	70	620	23	8.9	Φ250
	38:1	80	700	23	8.8	Φ300
SLJ54	54:1	75	1000	25	13.3	Φ250
	54:1	90	1200	25	13.3	Φ300
SLJ80	80:1	95	2000	26	21.1	Φ350
SLJ78	78:1	160	3200	26	20.0	Φ600
SLJ270	270:1	90	6000	25	66.7	Φ500
SLJ320	320:1	100	8000	25	80.0	Φ500
SLJ520	520:1	160	22000	26	137.5	Φ700

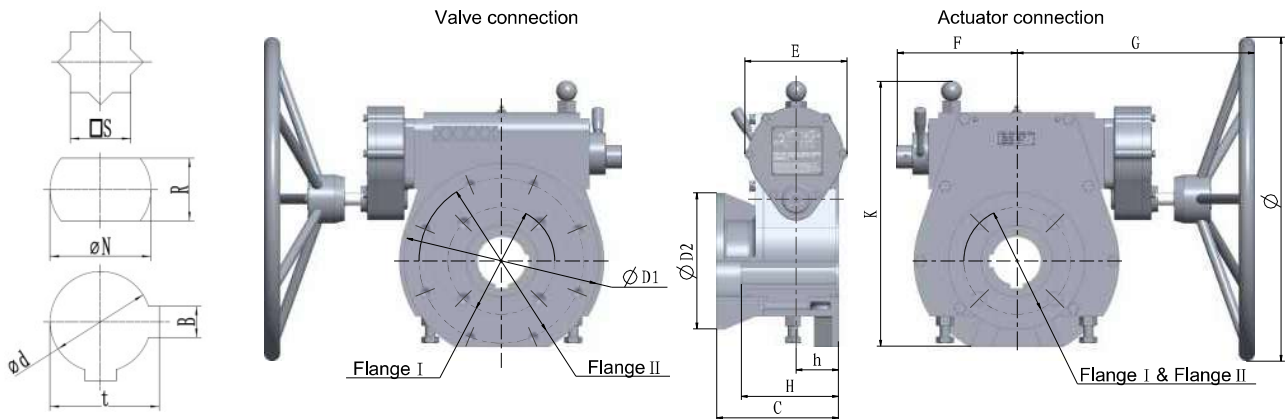


SLJ Series Declutchable Gear Operator Dimensions

Model	Max Stem Diameter				Valve Connection				Actuator Connection			Overall dimension							
	□SQmax	Φd max	B	t	ΦD1	ΦD2	Flange I	Flange II	A1x A2	Flange I	Flange II	h	H	C	≈E	F	G	K	ΦHW
SLJ26	□11	Φ15	5	17.3	Φ90	Φ30	F04	F04	52×52	F04	F04	31.5	56	80.7	122.2	52	187	171	Φ200
	□14	Φ15	5	17.3	Φ90	Φ30	F05	F07	64×64	F05	F07	31.5	56	84.7	122.2	52	187	171	Φ200
	□17	Φ22	6	24.8	Φ90	Φ36	F05	F07	64×64	F07	F07	31.5	56	84.7	122.2	52	187	171	Φ200
SLJ38	□22	Φ32	10	35.3	Φ125	Φ45	F07	F10	100×100	F07	F10	28.5	58	79.4	115.3	62.5	221	201	Φ200
	□27	Φ45	14	48.8	Φ125	Φ60	F10	F10	115×115	F10	F10	28.5	58	85.4	115.3	62.5	221	201	Φ200
	□27	Φ45	14	48.8	Φ125	Φ60	F10	F10	115×115	F12	F12	28.5	58	85.4	115.3	62.5	228	201	Φ250
	□27	Φ45	14	48.8	Φ125	Φ60	F10	F10	130×130	F14	F14	28.5	58	91.4	115.3	62.5	228	201	Φ300
	□27	Φ48	14	51.8	Φ165	Φ70	F10	F14	110×110	F10	F10	35	71	92.7	125.7	87.5	236.75	243.5	Φ250
SLJ54	□27	Φ48	14	51.8	Φ165	Φ70	F10	F14	110×110	F12	F12	35	71	92.7	125.7	87.5	236.75	243.5	Φ250
	□27	Φ48	14	51.8	Φ165	Φ70	F10	F14	110×110	F14	F14	35	71	99.7	125.7	87.5	239.75	243.5	Φ300
	□27	Φ48	14	51.8	Φ165	Φ70	F12	F12	110×110	F10	F10	35	71	92.7	125.7	87.5	236.75	243.5	Φ250
	□27	Φ48	14	51.8	Φ165	Φ70	F12	F12	110×110	F12	F12	35	71	92.7	125.7	87.5	236.75	243.5	Φ250
	□27	Φ48	14	51.8	Φ165	Φ70	F12	F12	110×110	F14	F14	35	71	99.7	125.7	87.5	239.75	243.5	Φ300
	□36	Φ60	18	64.4	Φ165	Φ85	F12	F12	156×156	F14	F14	35	71	107.7	125.7	87.5	239.75	243.5	Φ300
	□36	Φ60	18	64.4	Φ165	Φ85	F12	F12	156×156	F16	F16	35	71	107.7	125.7	87.5	239.75	243.5	Φ300
	□36	Φ60	18	64.4	Φ165	Φ85	F14	F14	156×156	F14	F14	35	71	107.7	125.7	87.5	239.75	243.5	Φ300
	□36	Φ60	18	64.4	Φ165	Φ85	F14	F14	156×156	F16	F16	35	71	107.7	125.7	87.5	239.75	243.5	Φ300

SLJ Series Declutchable Gear Operator Dimensions

Model	Max Stem Diameter				Valve Connection				Actuator Connection			Overall dimension							
	□SQmax	Φd max	B	t	ΦD1	ΦD2	Flange I	Flange II	A1×A2	Flange I	Flange II	h	H	C	≈E	F	G	K	ΦHW
SLJ80	□46	Φ60	18	64.4	Φ210	Φ85	F10	F10	156×135	F12	F12	45	77.5	114	140.7	117	290.5	316	Φ350
	□46	Φ60	18	64.4	Φ210	Φ85	F10	F10	156×135	F14	F14	45	77.5	114	140.7	117	290.5	316	Φ350
	□46	Φ60	18	64.4	Φ210	Φ85	F10	F10	156×156	F16	F16	45	77.5	114	140.7	117	290.5	316	Φ350
	□46	Φ60	18	64.4	Φ210	Φ85	F12	F12	156×135	F12	F12	45	77.5	114	140.7	117	290.5	316	Φ350
	□46	Φ60	18	64.4	Φ210	Φ85	F12	F12	156×135	F14	F14	45	77.5	114	140.7	117	290.5	316	Φ350
	□46	Φ60	18	64.4	Φ210	Φ85	F12	F12	156×156	F16	F16	45	77.5	114	140.7	117	290.5	316	Φ350
	□46	Φ60	18	64.4	Φ210	Φ85	F14	F14	156×135	F12	F12	45	77.5	114	140.7	117	290.5	316	Φ350
	□46	Φ60	18	64.4	Φ210	Φ85	F14	F14	156×135	F14	F14	45	77.5	114	140.7	117	290.5	316	Φ350
	□46	Φ60	18	64.4	Φ210	Φ85	F14	F14	156×156	F16	F16	45	77.5	114	140.7	117	290.5	316	Φ350
	□46	Φ60	18	64.4	Φ210	Φ85	F16	F16	156×135	F12	F12	45	77.5	114	140.7	117	290.5	316	Φ350
	□46	Φ60	18	64.4	Φ210	Φ85	F16	F16	156×135	F14	F14	45	77.5	114	140.7	117	290.5	316	Φ350
SLJ78	□46	Φ60	18	64.4	Φ276	Φ85	F12	F12	156×135	F14	F14	48.5	85.5	117	144.2	138	323	358.1	Φ600
	□46	Φ60	18	64.4	Φ276	Φ85	F12	F12	156×156	F16	F16	48.5	85.5	117	144.2	138	323	358.1	Φ600
	□46	Φ60	18	64.4	Φ276	Φ85	F14	F14	156×135	F14	F14	48.5	85.5	117	144.2	138	323	358.1	Φ600
	□46	Φ60	18	64.4	Φ276	Φ85	F14	F14	156×156	F16	F16	48.5	85.5	117	144.2	138	323	358.1	Φ600
	□46	Φ60	18	64.4	Φ276	Φ85	F16	F16	156×135	F14	F14	48.5	85.5	117	144.2	138	323	358.1	Φ600
	□46	Φ60	18	64.4	Φ276	Φ85	F16	F16	156×156	F16	F16	48.5	85.5	117	144.2	138	323	358.1	Φ600
	□60	Φ78	22	93.4	Φ276	Φ110	F14	F14	156×156	F16	F16	48.5	85.5	117	144.2	138	323	358.1	Φ600
□60	Φ78	22	93.4	Φ276	Φ110	F16	F16	156×156	F16	F16	48.5	85.5	117	144.2	138	323	358.1	Φ600	



SLJ Series Declutchable Gear Operator Dimensions

Model	Max Stem Diameter				Valve Connection			Actuator Connection			Overall dimension							
	□SQmax	Φd max	B	t	ΦD1	Flange I	Flange II	ΦD2	Flange I	Flange II	h	H	C	E	F	G	K	ΦHW
SLJ270	□60	Φ78	20	79.9	Φ300	F16	F25	Φ210	F16	F16	65.5	150	188	158	185	366	409	Φ500
	□60	Φ78	20	79.9	Φ300	F16	F25	Φ300	F25	F25	65.5	150	188	158	185	366	427	Φ500
SLJ320	□60	Φ105	28	111.4	Φ300	F25	F25	Φ300	F25	F25	81	187	244.4	165	156.3	463	436.5	Φ500
SLJ520	□75	Φ120	32	127.4	Φ415	F30	F30	Φ350	F25	F30	103	129	388	200	222.1	542	530	Φ700
	□75	Φ120	32	127.4	Φ415	F35	F35	Φ350	F25	F30	103	129	388	200	222.1	542	530	Φ700